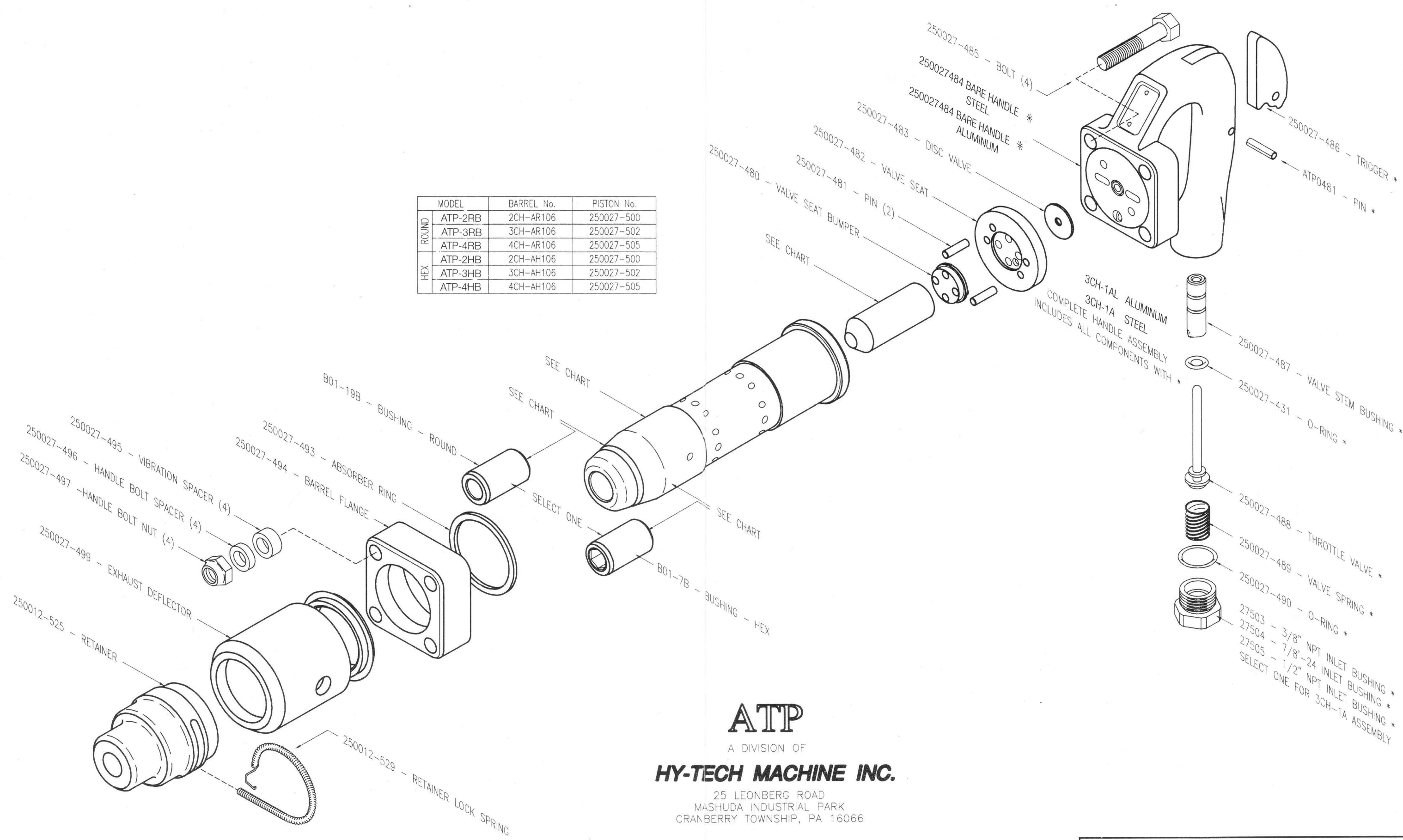


	MODEL	BARREL No.	PISTON No.
ROUND	ATP-2RB	2CH-AR106	250027-500
	ATP-3RB	3CH-AR106	250027-502
	ATP-4RB	4CH-AR106	250027-505
HEX	ATP-2HB	2CH-AH106	250027-500
	ATP-3HB	3CH-AH106	250027-502
	ATP-4HB	4CH-AH106	250027-505



ATP
 A DIVISION OF
HY-TECH MACHINE INC.

25 LEONBERG ROAD
 MASHUDA INDUSTRIAL PARK
 CRANBERRY TOWNSHIP, PA 16066

ATP HEAVY DUTY CHIPPERS