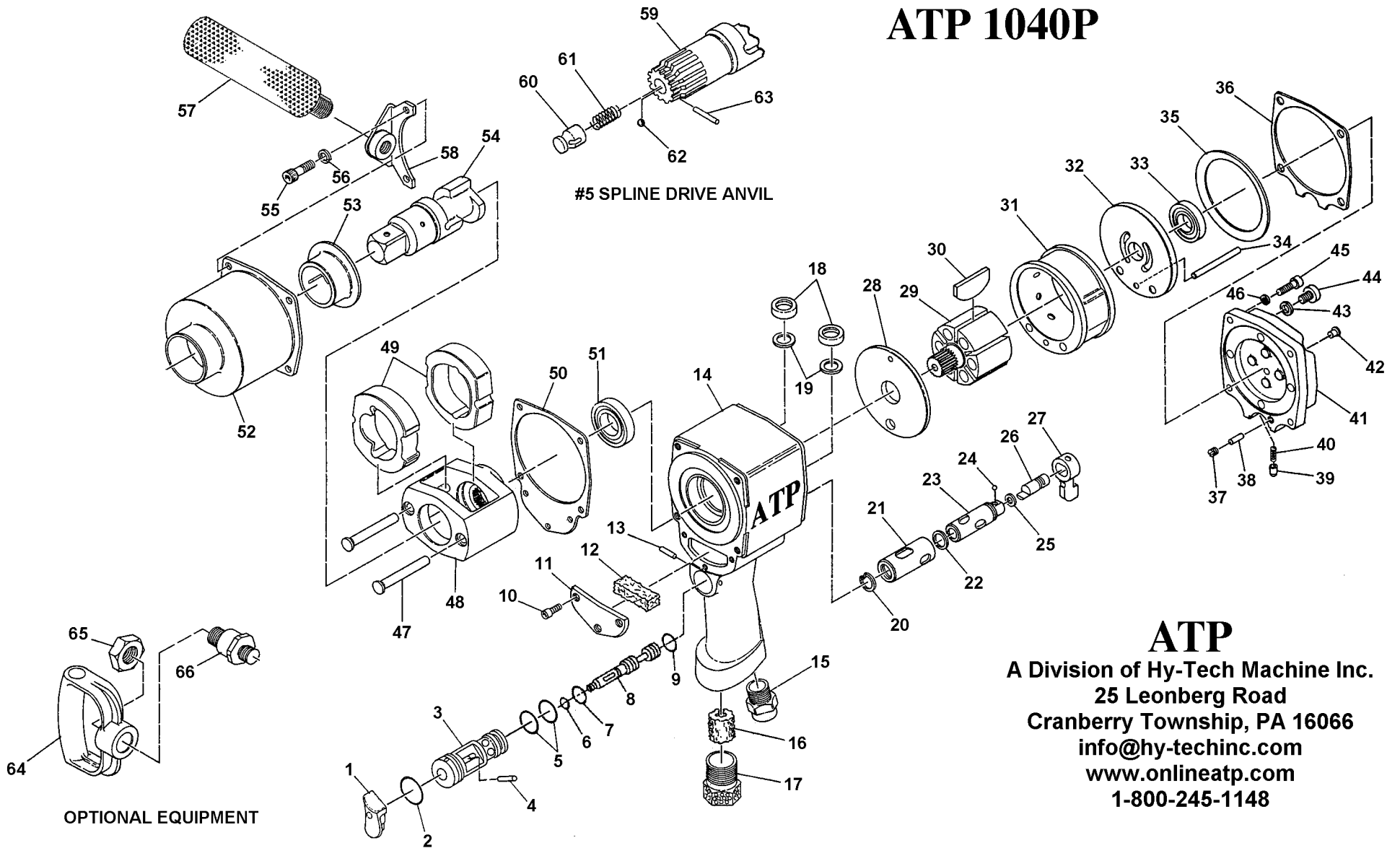


ATP 1040P



ATP
 A Division of Hy-Tech Machine Inc.
 25 Leonberg Road
 Cranberry Township, PA 16066
 info@hy-techinc.com
 www.onlineatp.com
 1-800-245-1148

ATP 1040PT-5S / ATP1040PT-TH PNEUMATIC IMPACT WRENCH

Index #	Part	Desc	Qty:	Index #	Part	Desc	Qty:
1	5RA-93	TRIGGER	1	35	2934-207	MOTOR CLAMP WASHER	1
2	AD100-18	O RING	1	36	2934-283	HANDLE GASKET	1
3	293-A503	THROTTLE VALVE BUSHING ASSY.	1	37	R2-71	OILER ADJUSTING SCREW	1
4	AF120-322	TRIGGER RETAINING PIN	1	38	R2-75	OILER FELT	1
5	AFH120A-358	SMALL SEAL	2	39	4U-663B	REVERSE LOCK PLUNGER	1
6	293-669	THROTTLE VALVE STEM O RING	1	40	4U-664	REVERSE LOCK SPRING	1
7	293-134	THROTTLE VALVE O RING	1	41	2934P-A102	HOUSING COVER ASSY	1
8	293-A302	THROTTLE VALVE ASSY.	1	42	130SR-188	GREASE FITTING	1
9	PS3-67	THROTTLE VALVE FACE O-RING	1	43	R4-92	OIL PLUG GASKET	1
10	401-638	SILENCER COVER SCREW	3	44	R4-227	OIL CHAMBER PLUG	1
11	2940P-240	SILENCER COVER	1	45	510-638	HANDLE CAP SCREW	4
12	2940P-311	EXHAUST SILENCER	1	46	8U-58	PINCH BOLT LOCKWASHER	4
13	2940P-757	THROTTLE VALVE ASSY RETAINING PIN	1	47	2940-704	HAMMER PIN	2
14	2940P-A40	MOTOR HOUSING	1	48	2940-A703	HAMMER FRAME ASSEMBLY	1
15	2940P-A565	INLET BUSHING ASSY.	1	49	2940-724	HAMMER	2
16	2940P-311	EXHAUST SILENCER	1	50	2940P-36	HAMMER CASE GASKET	1
17	2940P-23	EXHAUST DEFLECTOR	1	51	810-97	BALL BEARING	1
18	R44H-210A	AIRPORT GASKET	2	52	2940-A727	HAMMER CASE ASSEMBLY	1
19	2940-200	GASKET RETAINER	2	53	2934-641	HAMMER CASE BUSHING	1
20	RXA21-343	REVERSE VALVE STOP	1	54	2940-726	1" SQ. DR. ANVIL	1
21	2940P-330S	REVERSE VALVE BUSHING	1	55	834-638	HAMMER CASE CAP SCREW	4
22	85H-167	O RING	1	56	34U-58	LOCKWASHER	8
23	2940P-A329	REVERSE VALVE ASSY	1	57	834-48	ASSIST HANDLE	1
24	AV1-255	STEEL BALL	1	58	2934-364	ASSIST HANDLE BRACKET	1
25	R1A-159	O RING	1	59	2940-A526	#5 SPLINE DRIVE ANVIL	1
26	2940P-A249	POWER REGULATOR ASSY.	1	60	845-230	RETAINING BALL PLUNGER	1
27	2934-658	REVERSE VALVE LEVER	1	61	2940-231	RETAINING PLUNGER SPRING	1
28	2934-11	FRONT END PLATE	1	62	D04-280	SOCKET RETAINING BALL	1
29	2940-53	ROTOR	1	63	845-128	PLUNGER RETAINING PIN	1
30	2940-42	VANE	6	64	T15-41	HANDLE	1
31	2940-3	CYLINDER	1	65	107-73A	SIDE SPADE HDL STUD NUT	1
32	2934-12	REAR END PLATE	1	66	534-448	STUD	1
33	508-97	BALL BEARING	1	NI	34U-215A	SOLID SOCKET PIN	1
34	2940-98	CYLINDER DOWEL PIN	1	NI	34U-216	SOCKET PIN RETAINER	1