

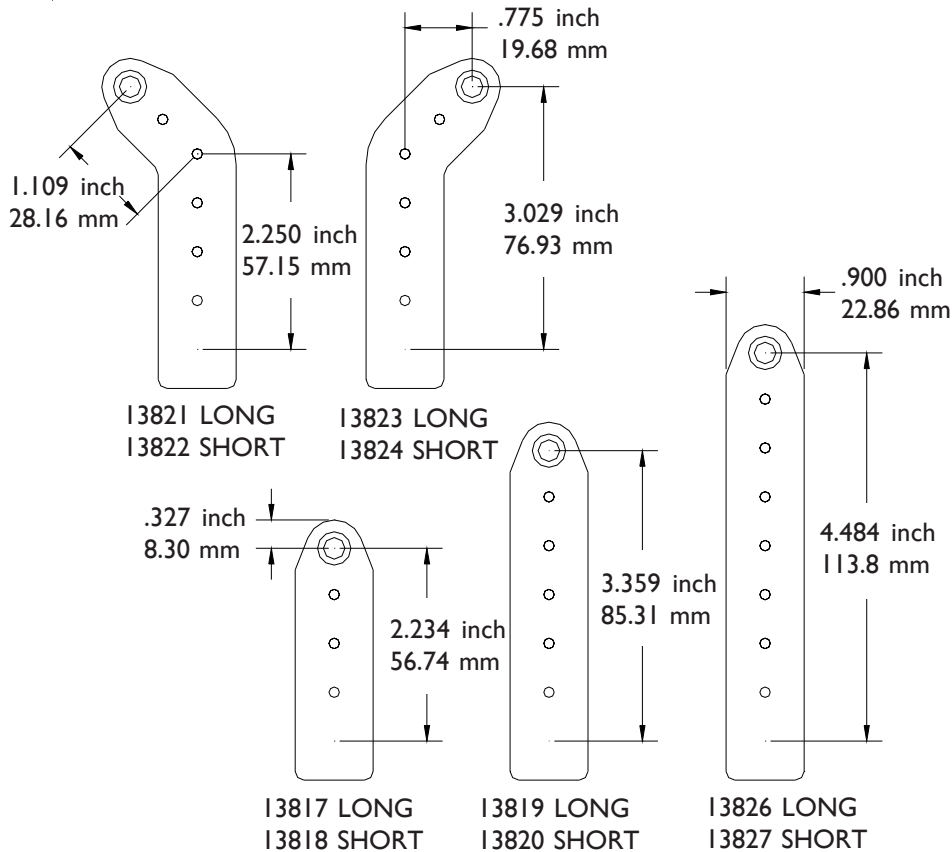
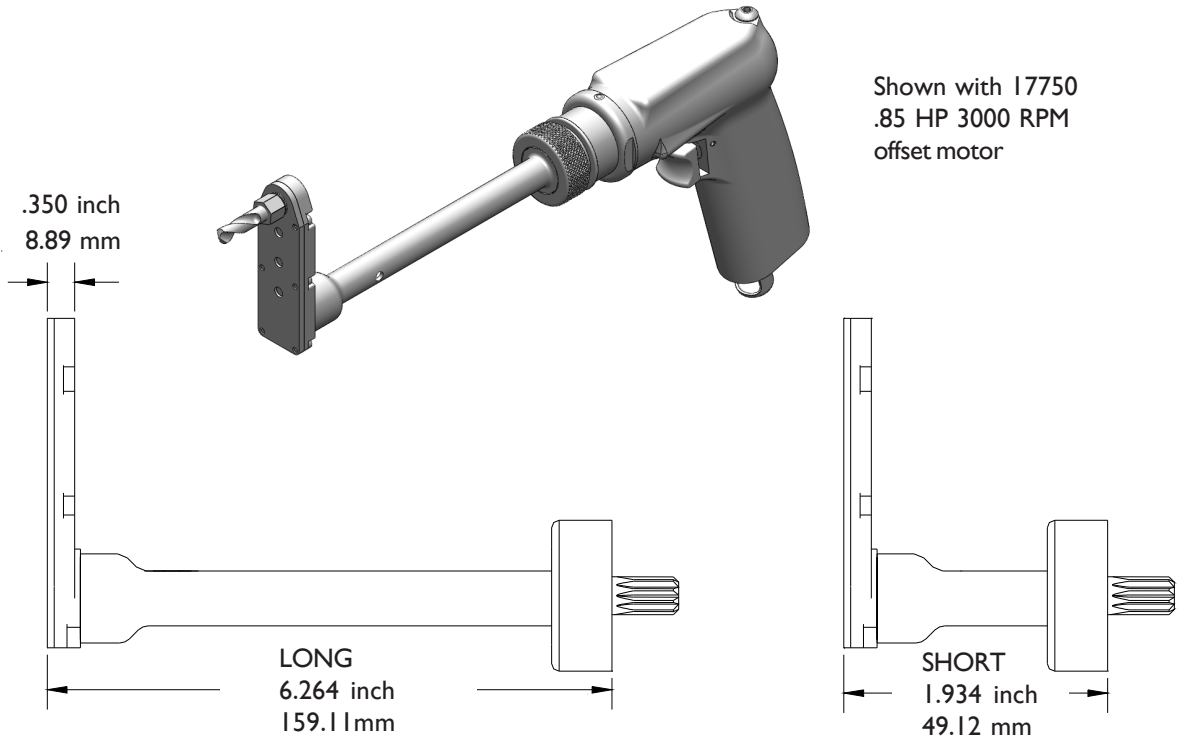
# LTD SERIES 2

## ALL BEARING L TYPE DRILLS

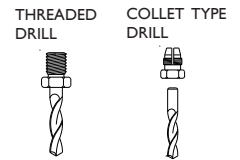
### ATTACHMENTS ONLY



Shown with I7750  
.85 HP 3000 RPM  
offset motor



You must select an internal thread



INTERNAL THREAD CODE	
1/4-28	A
10-32	C
9/32-40	E
5/16-24	F
7mm COLLET	D

PHONE: 775 883 1072    FAX: 775 883 4857