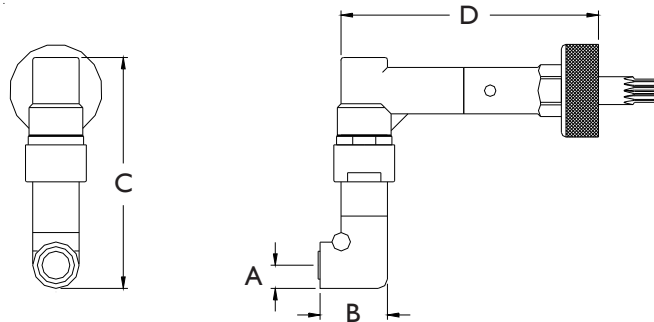


	A	B	C	D	360 DEGREE DRILL	
INCH	.317	.937	3.137	3.550	MAXIMUM RECOMMENDED DRILL DIAMETER	.250
MM	8.05	23.7	79.67	90.17		6.35 mm

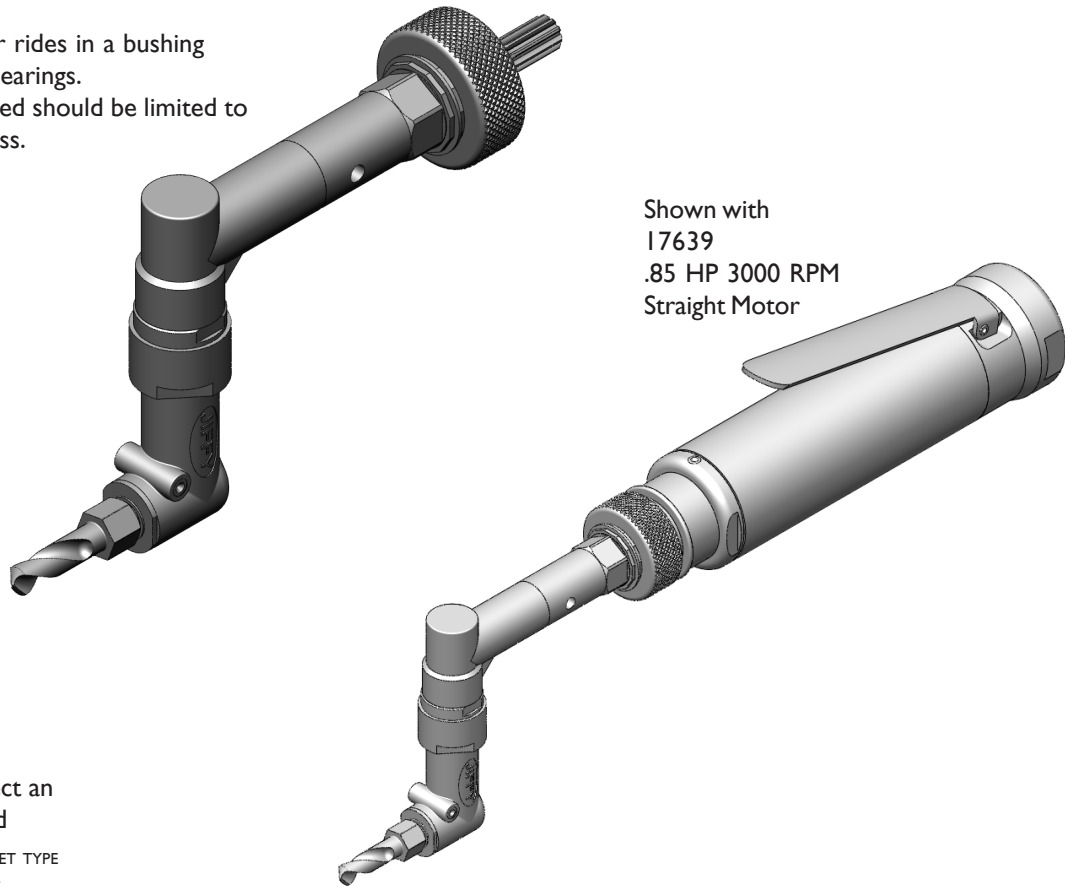


**LIMITED ACCESS 360 DEGREE ATTACHMENT**

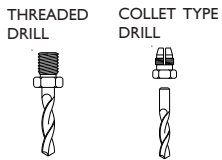


**15000M ATTACHMENT ONLY  
PART OF THE JIFFY MODULAR DRILL SYSTEM**

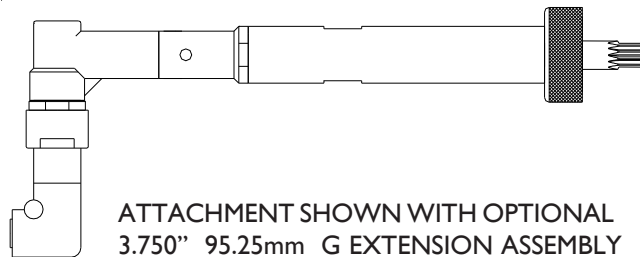
The output gear rides in a bushing instead of ball bearings.  
Attachment speed should be limited to 3000 RPM or less.



You must select an internal thread



INTERNAL THREAD CODE	
1/4-28	A
10-32	C
9/32-40	E
5/16-24	F
7mm COLLET	D



ATTACHMENT SHOWN WITH OPTIONAL 3.750" 95.25mm G EXTENSION ASSEMBLY

PHONE: 775 883 1072 FAX: 775 883 4857