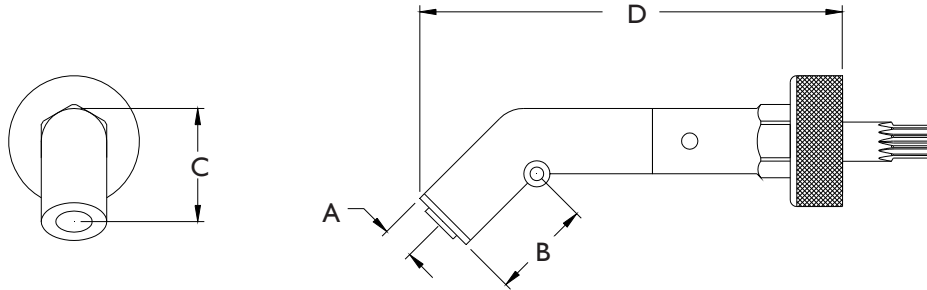


	A	B	C	D	45 DEGREE DRILL	
INCH	.312	.957	1.081	4.114	MAXIMUM RECOMMENDED DRILL DIAMETER	.250
MM	7.92	24.30	27.45	104.4		6.35 mm

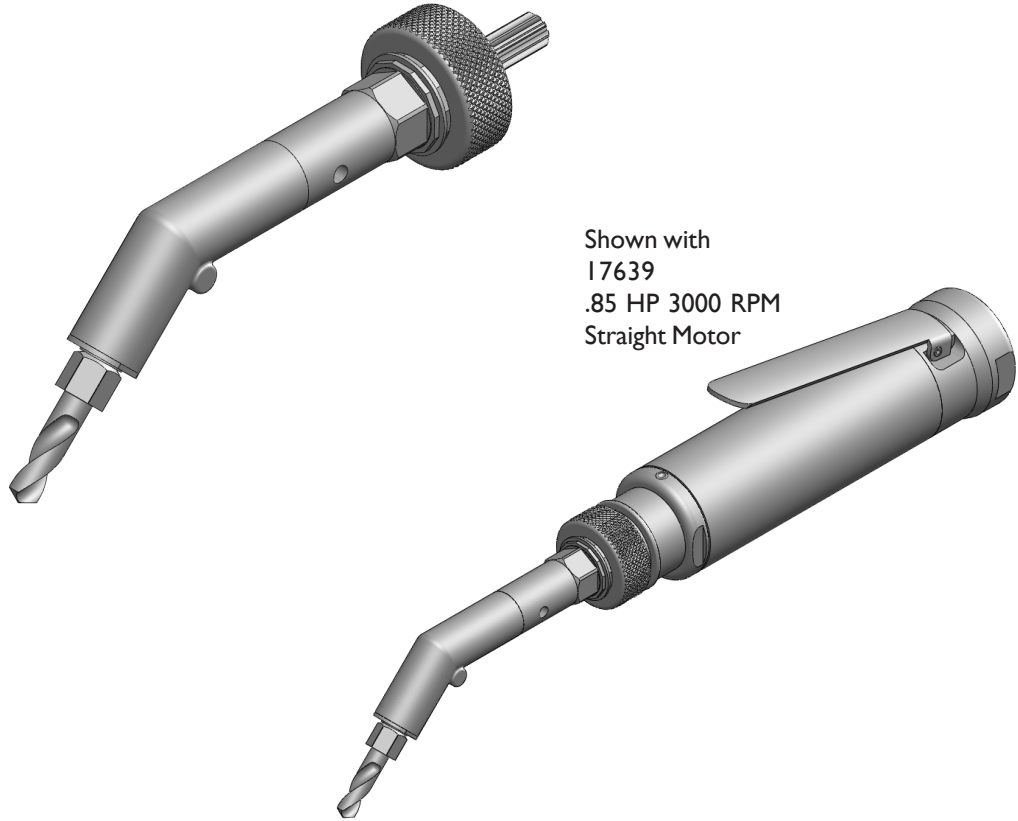


45 DEGREE DRILL ATTACHMENT



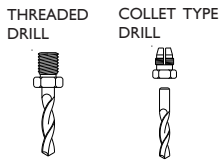
I4988 ATTACHMENT ONLY

PART OF THE JIFFY MODULAR DRILL SYSTEM

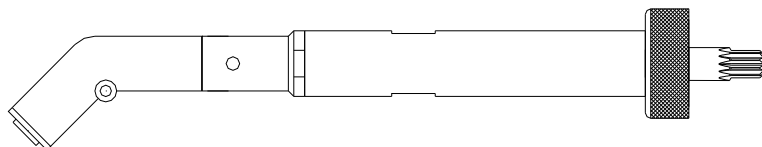


Shown with
I7639
.85 HP 3000 RPM
Straight Motor

You must select an
internal thread



INTERNAL THREAD CODE	
1/4-28	A
10-32	C
9/32-40	E
5/16-24	F
7mm COLLET	D



ATTACHMENT SHOWN WITH OPTIONAL
3.750" 95.25mm G EXTENSION ASSEMBLY

PHONE: 775 883 1072 FAX: 775 883 4857