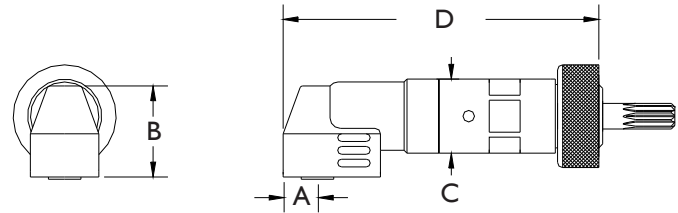


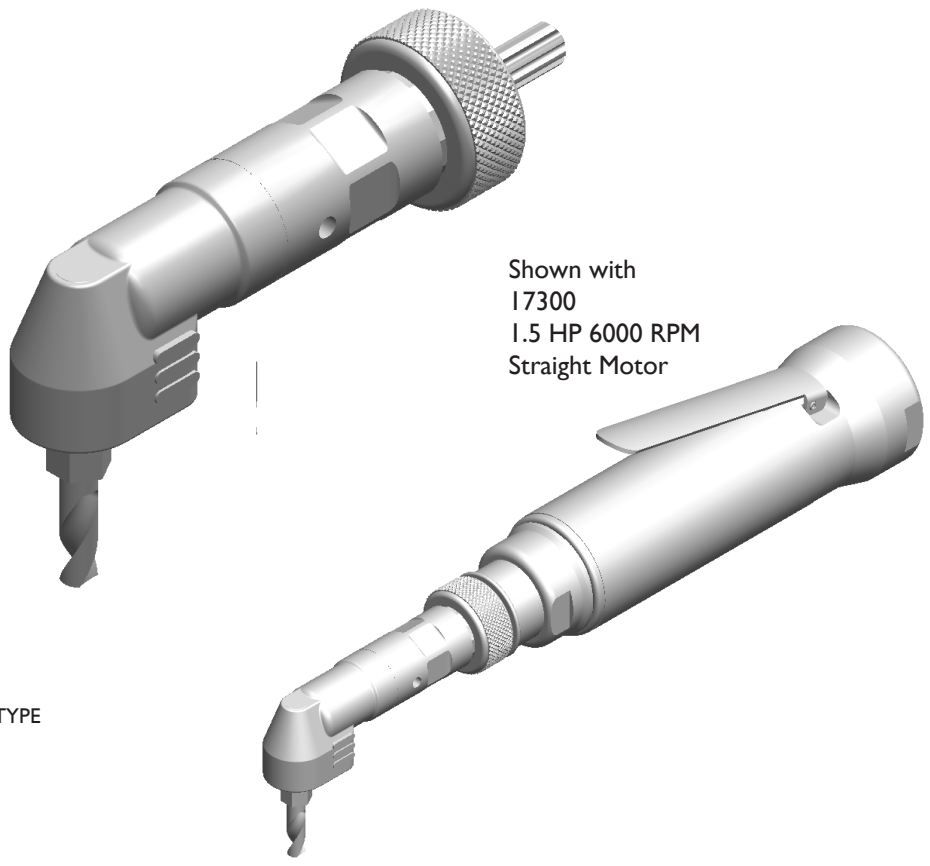
	A	B	C	D	90 DEGREE DRILL	
INCH	.415	1.070	.900	3.800	MAXIMUM RECOMMENDED	.375
MM	10.54	27.17	22.8	96.5	DRILL DIAMETER	9.52



ALL BEARING SUPER DUTY 90 DEGREE DRILL ATTACHMENT

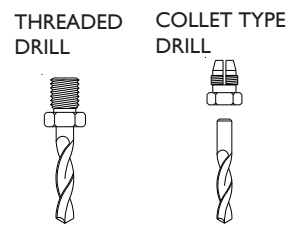


18107 ATTACHMENT ONLY  
PART OF THE JIFFY MODULAR DRILL SYSTEM

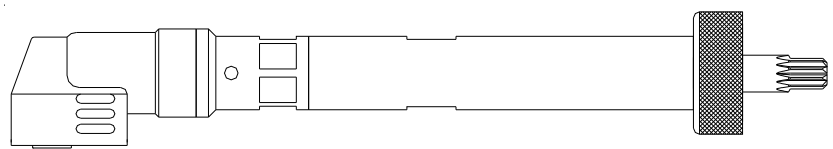


Shown with  
17300  
1.5 HP 6000 RPM  
Straight Motor

You must select  
an internal thread



INTERNAL THREAD CODE	
1/4-28	A
9/32-40	E
5/16-24	F
3/8-24 FEMALE	Z
7mm COLLET	D
3/8-24 MALE	Y



ATTACHMENT SHOWN WITH OPTIONAL  
3.750" 95.25mm G EXTENSION ASSEMBLY

PHONE: 775 883 1072 FAX: 775 883 4857