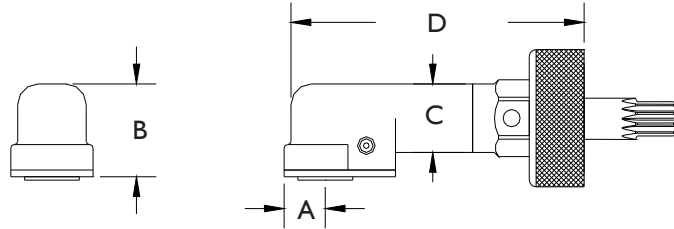


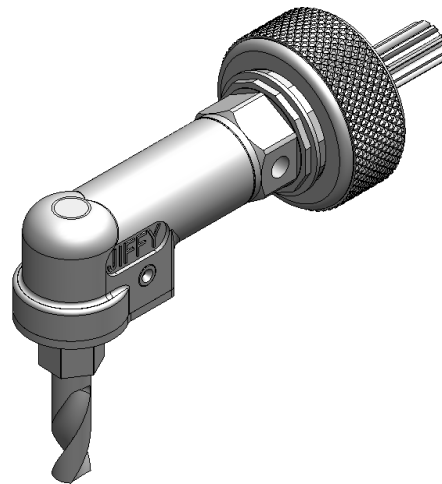
| | A | B | C | D | 90 DEGREE DRILL | |
|------|------|------|-------|-------|------------------------------------|---------|
| INCH | .362 | .847 | .625 | 2.750 | MAXIMUM RECOMMENDED DRILL DIAMETER | .250 |
| MM | 9.19 | 21.5 | 15.87 | 69.85 | | 6.35 mm |



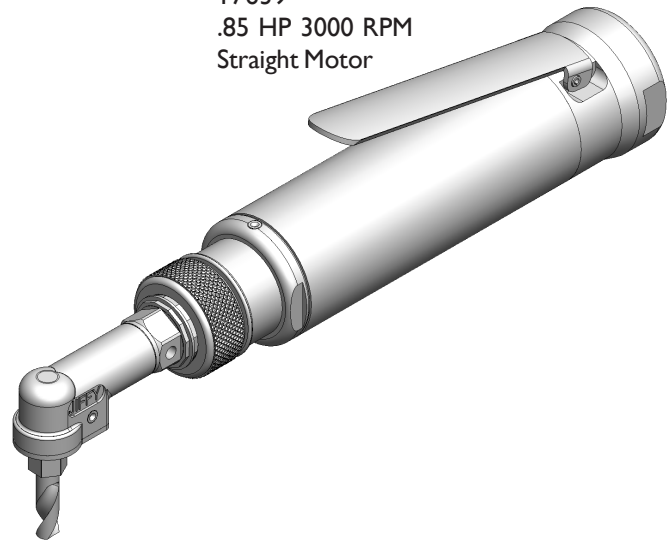
ALL BEARING LOW PROFILE 90 DEGREE DRILL ATTACHMENT



17945 ATTACHMENT ONLY
PART OF THE JIFFY MODULAR DRILL SYSTEM



Shown with
17639
.85 HP 3000 RPM
Straight Motor



You must select an
internal thread

THREADED
DRILL



COLLET TYPE
DRILL



| INTERNAL THREAD CODE | |
|----------------------|---|
| 1/4-28 | A |
| 10-32 | C |
| 9/32-40 | E |
| 7mm COLLET | D |

PHONE: 775 883 1072 FAX: 775 883 4857