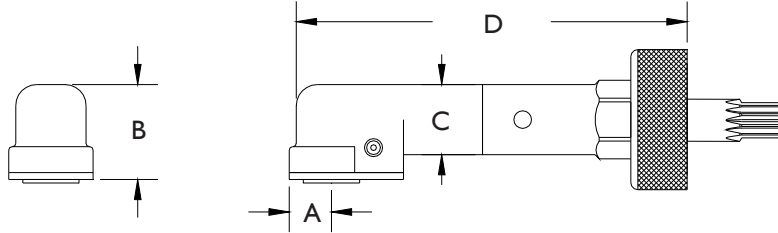


	A	B	C	D	90 DEGREE DRILL	
INCH	.362	.847	.625	3.550	MAXIMUM RECOMMENDED	.250
MM	9.19	21.5	15.87	90.17	DRILL DIAMETER	6.35 mm



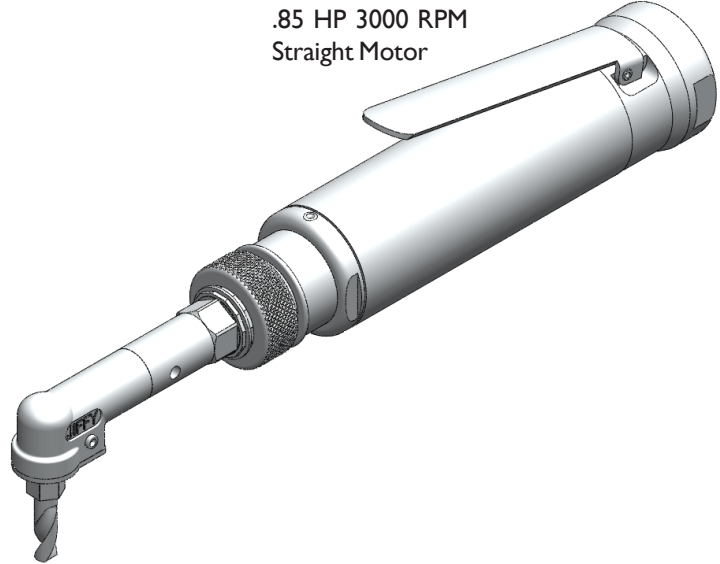
ALL BEARING LOW PROFILE 90 DEGREE DRILL ATTACHMENT



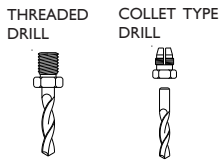
16500 ATTACHMENT ONLY  
PART OF THE JIFFY MODULAR DRILL SYSTEM



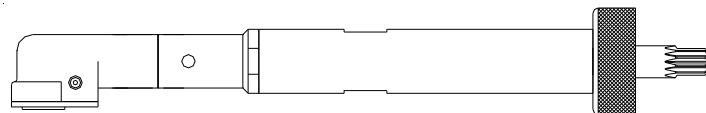
Shown with  
17639  
.85 HP 3000 RPM  
Straight Motor



You must select an  
internal thread



INTERNAL THREAD CODE	
1/4-28	A
10-32	C
9/32-40	E
7mm COLLET	D



ATTACHMENT SHOWN WITH OPTIONAL  
3.750" 95.25mm G EXTENSION ASSEMBLY

PHONE: 775 883 1072 FAX: 775 883 4857