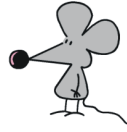


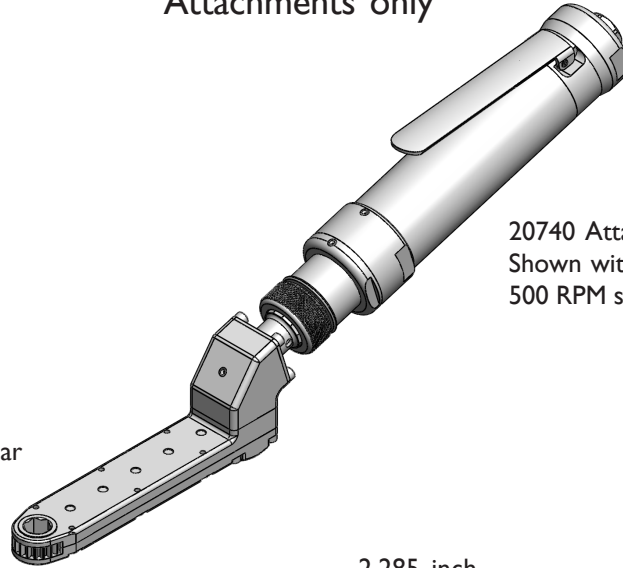
# 17 DEG RAT



350 Inch Lbs / 39.54 Nm

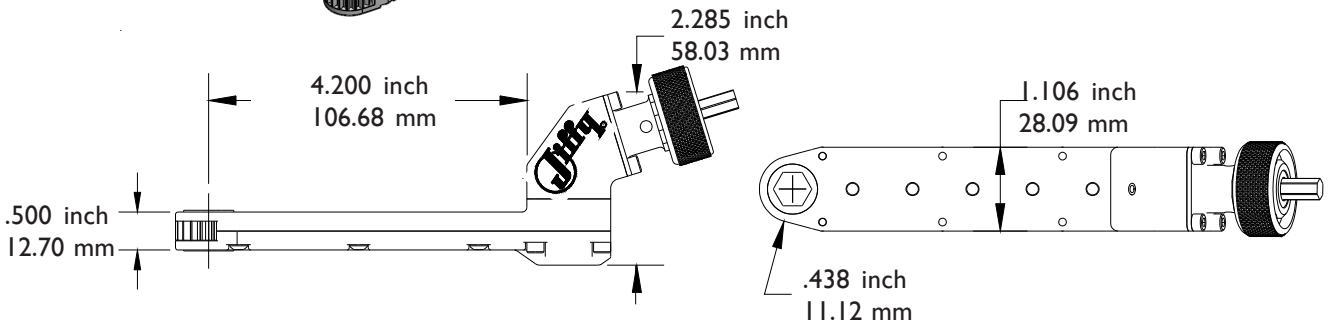


## I7 DEGREE RATCHET REPLACEMENT .438 inch / 11.12 mm center to edge distance Attachments only



20740 Attachment  
Shown with 17676 .85 hp  
500 RPM straight motor

You must select a nose gear to order an attachment.



The SOCKET DRIVER will adapt the attachment to accept Series 2 / 3 Sockets starting on Page 71.

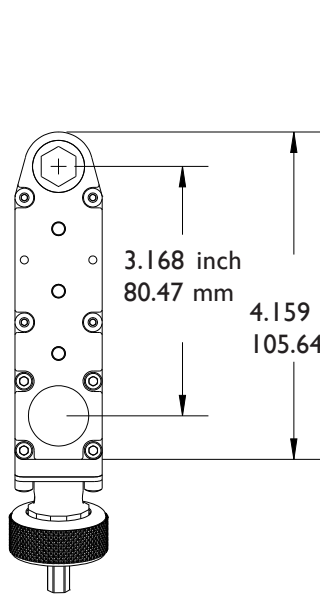
PART NO.	SIZE	TYPE
18449	9/32	SOCKET DRIVER
15905	1/4	SQ. DRIVE MALE

### HEX FLUSH

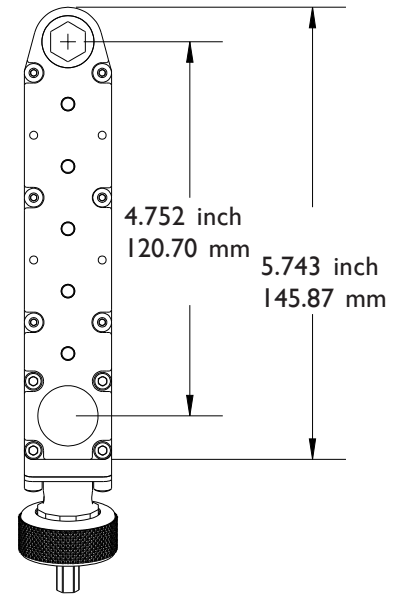
PART NO.	HEX SIZE	TYPE		
16038	5/16	HEX FLUSH		
15891	7/16	HEX FLUSH		
15889	11/32	HEX FLUSH		
15890	3/8	HEX FLUSH		
JIFFY KEYS FLUSH				
KEY HEX	3/32	1/8	5/32	3/16
PART NO.	18157	18158	18935	18936

### HEX THRU

PART NO.	HEX SIZE	TYPE
16039	5/16	HEX THRU
15892	11/32	HEX THRU
15893	3/8	HEX THRU
15894	7/16	HEX THRU



20733 ATTACHMENT



20740 ATTACHMENT

PHONE: 775 883 1072 FAX: 775 883 4857