

# PLEASE READ AND FOLLOW ALL WARNINGS



UT8894

1/4" DRILL

## Read Operating Instructions

Always become familiar with all the instructions and warnings before operating any power tool.



### Always Wear Approved Eye Protection

Impact resistant eye protection should meet or exceed the standards as set forth in the United States ANSI Z87.1, Occupational and Educational Eye and Face Protection. Look for the marking Z87.1 on your eye protection to insure that it is an approved style. For further information, ANSI Z87.1, Occupational and Educational Eye and Face Protection, is available from the American National Standards Institute, Inc., 11 West 42nd Street, New York, NY 10036.



### Hearing Protection is Recommended

Hearing protection should be used when the noise level exposure equals or exceeds an 8 hour time-weighted average sound level of 85 dBA. Process noise, reflective surfaces, other tools being operated nearby, all add to the noise level present in your work area. If you are unable to determine your noise level exposure, we recommend the use of hearing protection.



### Avoid Prolonged Exposure to Vibration

Tools can vibrate during use. Prolonged exposure to vibration or very repetitive hand and arm movements, can cause injury. Stop using any tool if discomfort, tingling feeling or pain occurs. You should consult your physician before resuming use of the tool.



### 90 PSIG Maximum

This tool is designed to operate at

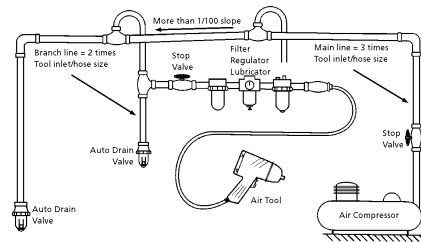
an air pressure of 90 pounds per square inch gauge pressure (90 PSIG) maximum, at the tool. Use of higher air pressure can, and may cause injury. Also, the use of higher air pressure places the internal components under loads and stresses they were not designed for, causing premature failure. The air supply should be clean and dry, preferably lubricated. For best results, drain the moisture from your compressor daily.

### WARNING:

Some dust created by power sanding, sawing, grinding, drilling, and other construction activities contains chemicals known to cause cancer, birth defects or reproductive harm. Some examples of these chemicals are:

- Lead from lead-based paints
- Crystalline silica from bricks, cement and other masonry products
- Arsenic and chromium from chemically treated lumber

Your risk from these exposures varies, depending on how often you do this type of work. To reduce your exposure to these chemicals, work in a well-ventilated area and work with approved safety equipment such as those dust masks that are specially designed to filter out microscopic particles.



## Description

Universal Tool model UT8894 1/4" Heavy Duty Drill is designed for general drilling and cutting operations that require extra power in a compact tool, including honing, reaming and wire brushing.



## Safety Instructions

The following instructions are furnished as general guidelines for use of your pneumatic tool. They cannot comprehensively cover all possible or conceivable uses of the subject tool. For additional information on the safe use of air tools, we advise you to obtain a copy of ANSI B186.1 Safety Code for Portable Air Tools, available from the following source:

American National Standards Institute, Inc.

11 West 42nd Street  
New York, NY 10036.

The use of the word "shall" in the following instructions, indicates that adherence to the particular requirement is necessary to conform to ANSI B186.1.

## Tool Application and Usage

Portable tools shall be used only for the purposes intended in their design and within the capacity for which they were intended and rated. It shall be the tool owner's and/or employer's responsibility to instruct each operator in the safe use of the tool. Tools shall not be used without guards and safety

devices as furnished by the manufacturer. Where an air tool is modified or altered, the modifier shall provide the safeguards to enable it to be safely used in the operations intended and to comply with any applicable provisions as contained in ANSI B186.1.

## Tool Installation

Pressure regulators shall be used to limit air pressure to the rated pressure where the supply pressure exceeds the tool's rated pressure. Air hoses and lines shall be relieved of compressed air before being disconnected or disjoined, unless there is automatic valve closing protection at the joint being separated. Synthetic lubricants which can cause deterioration of elastomer seals shall not be used in air systems of air tools.

## Tool Maintenance

It shall be the tool owner's and/or employer's responsibility to assure that tools are maintained in a safe operating condition. Tool maintenance and repair shall be performed by authorized, trained, competent personnel. Tools shall be disconnected from their compressed air supply before repairs are attempted. Repairs shall be consistent with the manufacturer's recommended procedures. Tool, hoses and fittings shall be replaced if unsuitable for safe operation. It shall be the tool owner's and/or employer's responsibility to keep required rating markings and warnings on the tool in legible condition.

*Read these instructions carefully before attempting to install, operate or service this product. Failure to comply with the instructions could result in personal injury and/or property damage! Retain these instructions for future reference.*

Universal Tool

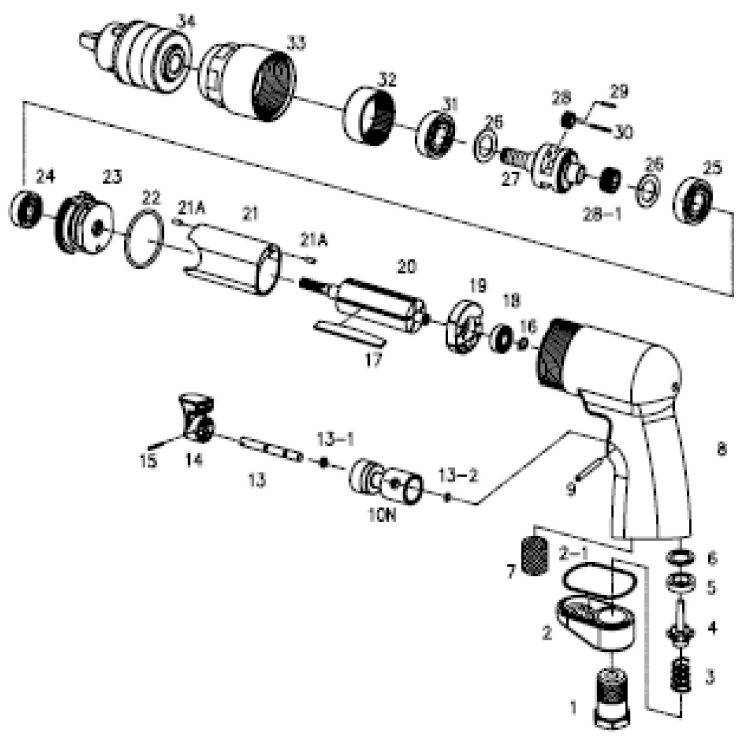
a Brand of Continental Tool Group, Inc.

1660 Silver Beach Road Suite 100, Lake Park, FL 33403

Toll Free 1-800-327-9403

**Specifications**

Chuck Capacity .....	1/4"
Free speed.....	6,000 RPM
Spindle thread.....	3/8"-24
Weight.....	2.4 lbs.
Length.....	7.5"
Average air consumption.....	4 CFM
Recommended hose size.....	3/8" I.D.
Inlet size.....	1/4" NPT
Maximum operating pressure.....	90 PSI

**Parts Breakdown for UT8894**

**Replacement Parts for UT8894**

Ref.	Description	Part #	Ref.	Description	Part #
1	Air Inlet	9389501	18	Ball Bearing	9389518
2	Deflector	9389502	19	Rear Plate	9389519
2-1	Gasket	9389502-1	20	Rotor	9389520
3	Spring	9389503	21	Cylinder	9389521
4	Valve	9328804VN	21A	Pin (2)	9389521A
5	Valve Seat	9328835N	22	O-Ring	9389522
6	Spacer	9328825SN	23	Front Plate	9389523
7	Sliencer	9389507	24	Ball Bearing	9389524
8	Housing	9389508	25	Ball Bearing	9389525
9	Dowel Pin	9389509	26	Washer (2)	9389526
10N	Valve Bushing	9389510N	27	Gear Cage	9389527-6K
13	Valve Stem	9389513	28	Pinion Gear (2)	9389528-6K
13-1	O-Ring	9287617	28-1	Pinion Gear	9389528-6K1
13-2	Retainer	9389513-2	29	Needles (18)	9389529
14	Trigger	9389514	30	Pin (2)	9389530
15	Spring Pin	9389515	31	Ball Bearing	9389531
16	Retainer	9389516	32	Ring Gear	9389532
17	Rotor Blades (5)	9389517	33	Gear Case	9389533
			34	1/4" Chuck & Key	UTA84009

**Limited Warranty**

Universal Tool warrants its tools to be free from defects in material and workmanship for one year from the date of purchase. This warranty does not apply to tools which have been abused, misused, modified or repaired by someone other than Universal Tool or its authorized service centers. If a Universal Tool proves defective in material of workmanship within one year after purchase, return it to any authorized service center or to Universal Tool, freight prepaid. Please enclose your name, address and adequate proof of purchase date with a brief description of the defect. Universal Tool will, at its option, repair or replace defective tools, free of charge. Repairs or replacements are warranted as described above for the remainder of the warranty period. Universal Tool's sole liability and your exclusive remedy under this warranty is limited to repair or replacement of the defective tool. There are no other warranties expressed or implied and Universal Tool shall not be liable for incidental, consequential or special damages, or any other damages, costs or expense of repair or replacement as described above.