

**PLEASE READ AND FOLLOW ALL WARNINGS**

**Universal Tool**

**UT7520C-1  
1" PISTOL IMPACT WRENCH**

### Read Operating Instructions

Always become familiar with all the instructions and warnings before operating any power tool.

### Always Wear Approved Eye Protection

Impact resistant eye protection should meet or exceed the standards as set forth in the United States ANSI Z87.1, Occupational and Educational Eye and Face Protection. Look for the marking Z87.1 on your eye protection to insure that it is an approved style. For further information, ANSI Z87.1, Occupational and Educational Eye and Face Protection, is available from the American National Standards Institute, Inc., 11 West 42nd Street, New York, NY 10036.

### Hearing Protection is Recommended

Hearing protection should be used when the noise level exposure equals or exceeds an 8 hour time-weighted average sound level of 85 dBA. Process noise, reflective surfaces, other tools being operated nearby, all add to the noise level present in your work area. If you are unable to determine your noise level exposure, we recommend the use of hearing protection.

### Avoid Prolonged Exposure to Vibration

Tools can vibrate during use. Prolonged exposure to vibration or very repetitive hand and arm movements, can cause injury. Stop using any tool if discomfort, tingling feeling or pain occurs. You should consult your physician before resuming use of the tool.

### 90 PSIG Maximum

This tool is designed to operate at

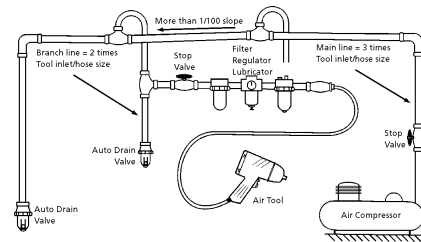
an air pressure of 90 pounds per square inch gauge pressure (90 PSIG) maximum, at the tool. Use of higher air pressure can, and may cause injury. Also, the use of higher air pressure places the internal components under loads and stresses they were not designed for, causing premature failure. The air supply should be clean and dry, preferably lubricated. For best results, drain the moisture from

### WARNING:

Some dust created by power sanding, sawing, grinding, drilling, and other construction activities contains chemicals known to cause cancer, birth defects or reproductive harm. Some examples of these chemicals are:

- Lead from lead-based paints
- Crystalline silica from bricks, cement and other masonry products
- Arsenic and chromium from chemically treated lumber

Your risk from these exposures varies, depending on how often you do this type of work. To reduce your exposure to these chemicals, work in a well-ventilated area and work with approved safety equipment such as those dust masks that are specially designed to filter out microscopic particles.



### Description

The Universal Tool professional tools feature alloy steel hammer cases that are machined from solid bar, not drawn or cast. The model number is laser etched on the hammer case for permanent identification. There is a high power to weight ratio, plus 100% parts interchangeability to the equivalent competitor's tool. The features include steel hammer case and three piece housing construction for ease of maintenance. Also included are an adjustable power regulator, ergonomic handle and a sound reducing muffler



### Safety Instructions

The following instructions are furnished as general guidelines for use of your pneumatic tool. They cannot comprehensively cover all possible or conceivable uses of the subject tool. For additional information on the safe use of air tools, we advise you to obtain a copy of ANSI B186.1 Safety Code for Portable Air Tools, available from the following source:

American National Standards Institute, Inc.

11 West 42nd Street  
New York, NY 10036.

The use of the word "shall" in the following instructions, indicates that adherence to the particular requirement is necessary to conform to ANSI B186.1.

### Tool Application and Usage

Portable tools shall be used only for the purposes intended in their design and within the capacity for which they were intended and rated. It shall be the tool

owner's and/or employer's responsibility to instruct each operator in the safe use of the tool. Tools shall not be used without guards and safety devices as furnished by the manufacturer. Where an air tool is modified or altered, the modifier shall provide the safeguards to enable it to be safely used in the operations intended and to comply with any applicable provisions as contained in ANSI B186.1.

### Tool Installation

Pressure regulators shall be used to limit air pressure to the rated pressure where the supply pressure exceeds the tool's rated pressure. Air hoses and lines shall be relieved of compressed air before being disconnected or disjointed, unless there is automatic valve closing protection at the joint being separated. Synthetic lubricants which can cause deterioration of elastomer seals shall not be used in air systems of air tools.

### Tool Maintenance

It shall be the tool owner's and/or employer's responsibility to assure that tools are maintained in a safe operating condition. Tool maintenance and repair shall be performed by authorized, trained, competent personnel. Tools shall be disconnected from their compressed air supply before repairs are attempted. Repairs shall be consistent with the manufacturer's recommended procedures. Tool, hoses and fittings shall be replaced if unsuitable for safe operation. It shall be the tool owner's and/or employer's responsibility to keep required rating markings and warnings on the tool in legible condition.

**Universal Tool**  
a Brand of Continental Tool Group, Inc.  
1660 Silver Beach Road Suite 100, Lake Park, FL 33403  
Toll Free 1-800-327-9403

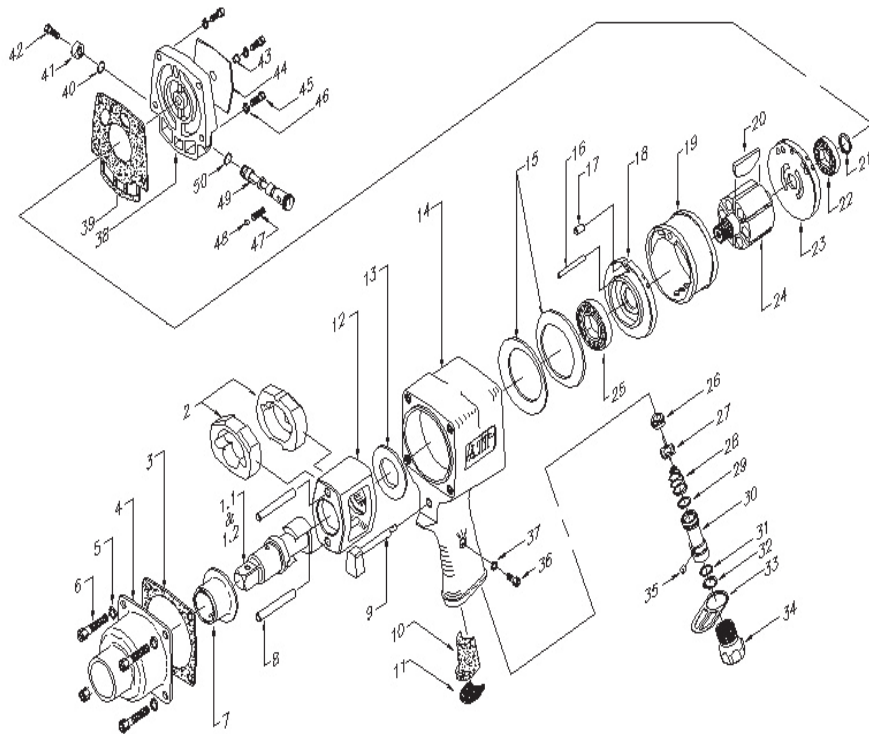
**Read these instructions carefully before attempting to install, operate or service this Florida Pneumatic product. Failure to comply with the instructions could result in personal injury and/or property damage! Retain these instructions for future reference.**

**Specifications:**

Shank .....	1"
Speed.....	5,000 RPM
Working Torque.....	232-800 ft. lbs.
Max. Torque .....	1100 ft. lbs.
Weight.....	12 lbs.
Overall length.....	12.5 in.
Average air consumption.....	9 CFM
Recommended hose size.....	1/2" I.D.
Air inlet.....	3/8" NPT
Maximum operating pressure.....	90 psi

**Parts Breakdown for UT7520C-1**
**USE ONLY IMPACT SOCKETS & ACCESSORIES**

Sockets and accessories used shall be of the impact socket type. Always check sockets, retainers and drives regularly for wear or damage and replace whenever necessary


**Replacement Parts for UT7520C-1**

Index #	Part	Desc
12	2910-826	1" SQ. DRIVE ANVIL
2	2910-724	HAMMER
3	910-36	HAMMER CASE GASKET
4	2920B-A727	HAMMER CASE ASSY. (INCL. # 7)
5	NL8	5/16 NORD LOCK WASHER
6	34U-103	HAMMER CASE CAP SCREW
7	910-641	HAMMER CASE BUSHING
8	2910-704	HAMMER PIN
9	2920P-A93	TRIGGER ASSY.
10	2920P-311	EXHAUST SILENCER
11	2920P-310	SILENCER SCREEN
12	2910-A703	HAMMER FRAME ASSEMBLY (INCL. # 8)
13	910-706	REAR FRAME WASHER
14	2920P-A40	HOUSING (INCL. 9, 10, 11, 26, 27, 28, 30, 32, 33, 34, 36, 37)
15	2920-207	WASHER
16	910-98	CYLINDER DOWEL
17	2920-74	END PLATE DOWEL
18	2920-11	FRONT END PLATE
19	2920-3	CYLINDER
20	260-42	VANE
21	MVA008-218	BEARING RETAINER
22	4E-510	BALL BEARING
23	2920-12	REAR END PLATE
24	2910B-53	ROTOR
25	834-24	BALL BEARING
26	DG230-303	THROTTLE VALVE SEAL
27	DG230-302	THROTTLE VALVE
28	2920P-51	THROTTLE VALVE SPRING
29	85H-167	SEAL
30	2920P-A198	OILER BODY ASSY. (INCL. # 29, 31, 35)
31	85H-167	SEAL
32	SML8-24	OILER RETAINING RING
33	2920P-23	EXHAUST DEFLECTOR
34	2920P-465	INLET BUSHING
35	77H-75	OIL PLUG
36	D92-227	OILER PLUG
37	R3-92A	OIL PLUG WASHER
38	2920P-A202	MOTOR HOUSING COVER ASSY. (INCL. # 40, 41, 42, 43, 47, 48, 49, 50)
39	2920P-739	GASKET
40	261-283	REVERSE VALVE SEAL
41	231-666	REVERSE VALVE KNOB
42	231-665	KNOB SCREW
43	130SR-188	GREASE FITTING
44	2920P-301	NAMEPLATE
45	5080-638	CAP SCREW 1/4-20X1
46	NL6	1/4 NORD LOCK WASHER
47	231-664	REVERSE VALVE DETENT SPRING
48	AV1-255	STEEL BALL
49	2910B-329	REVERSE VALVE
50	261-283	REVERSE VALVE SEAL

**Limited Warranty**

Universal Tool warrants its tools to be free from defects in material and workmanship for one year from the date of purchase. This warranty does not apply to tools which have been abused, misused, modified or repaired by someone other than Universal Tool or its authorized service centers. If a Universal Tool proves defective in material of workmanship within one year after purchase, return it to any authorized service center or to Universal Tool, freight prepaid. Please enclose your name, address and adequate proof of purchase date with a brief description of the defect. Universal Tool will, at its option, repair or replace defective tools, free of charge. Repairs or replacements are warranted as described above for the remainder of the warranty period. Universal Tool's sole liability and your exclusive remedy under this warranty is limited to repair or replacement of the defective tool. There are no other warranties expressed or implied and Universal Tool shall not be liable for incidental, consequential or special damages, or any other damages, costs or expense of repair or replacement as described above.