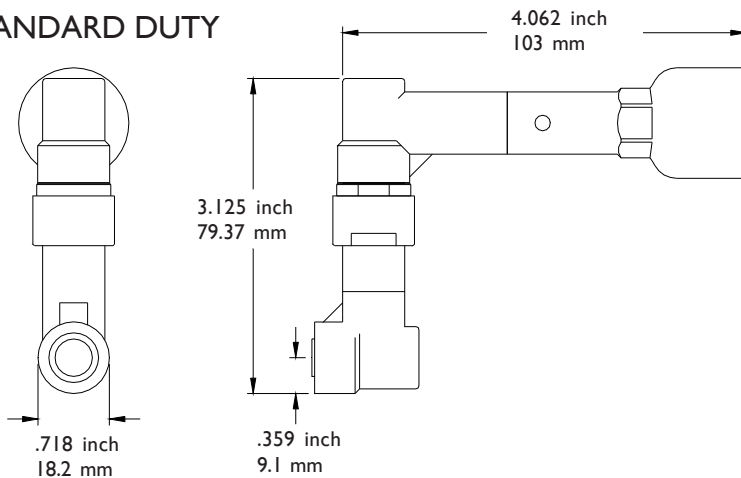




17725 360 DEGREE STANDARD DUTY DRILL HEAD

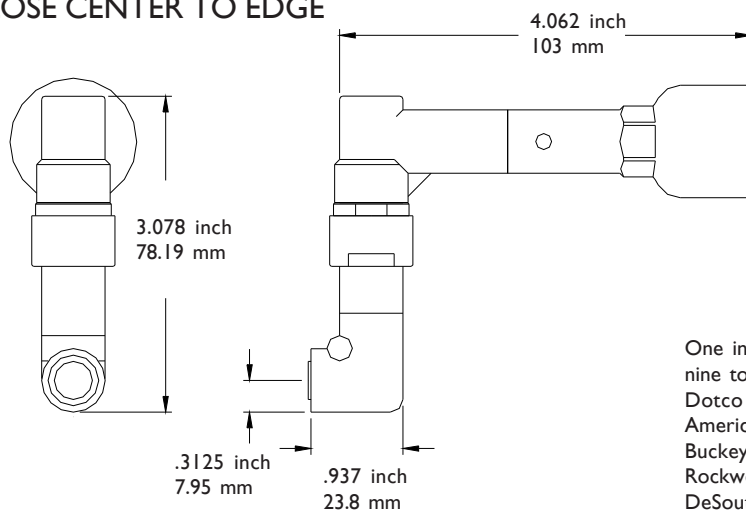
FULL BEARING
ATTACHMENT
UP TO 6000 RPM



INTERNAL THREAD CODE	
1/4-28	A
10-32	C
9/32-40	E
7mm COLLET	D

20918 360 DEGREE CLOSE CENTER TO EDGE DRILL HEAD

BUSHING TYPE
ATTACHMENT
3000 RPM MAXIMUM



INTERNAL THREAD CODE	
1/4-28	A
10-32	C
9/32-40	E
5/16-24	F
7mm COLLET	D

One inch 20 pitch thread with
nine tooth spline drive adapts to
Dotco
American Pneumatic
Buckeye
Rockwell
DeSoutter