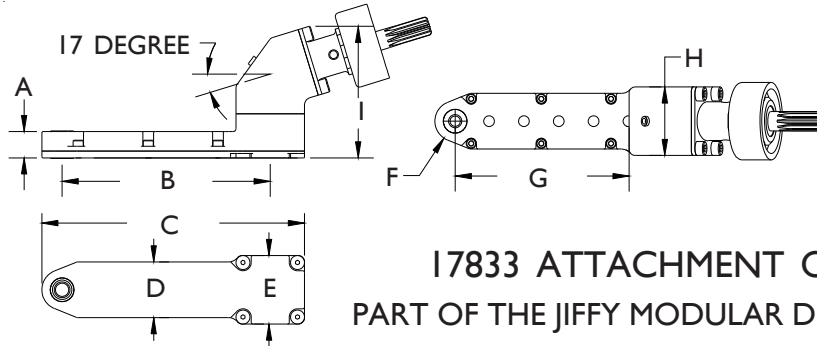


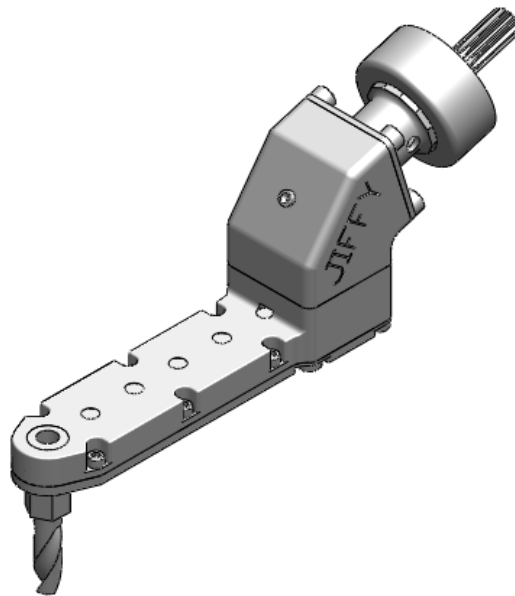
	A	B	C	D	E	F	G	H	I	SERIES 3 17 DEGREE DRILL	
INCH	.350	3.35	4.22	.90	1.02	.327	2.80	1.10	2.124	MAXIMUM RECOMMENDED	.312 INCH
MM	8.89	85	107.1	22.8	25.9	8.3	71.1	27.9	53.94	DRILL DIAMETER	7.92 mm



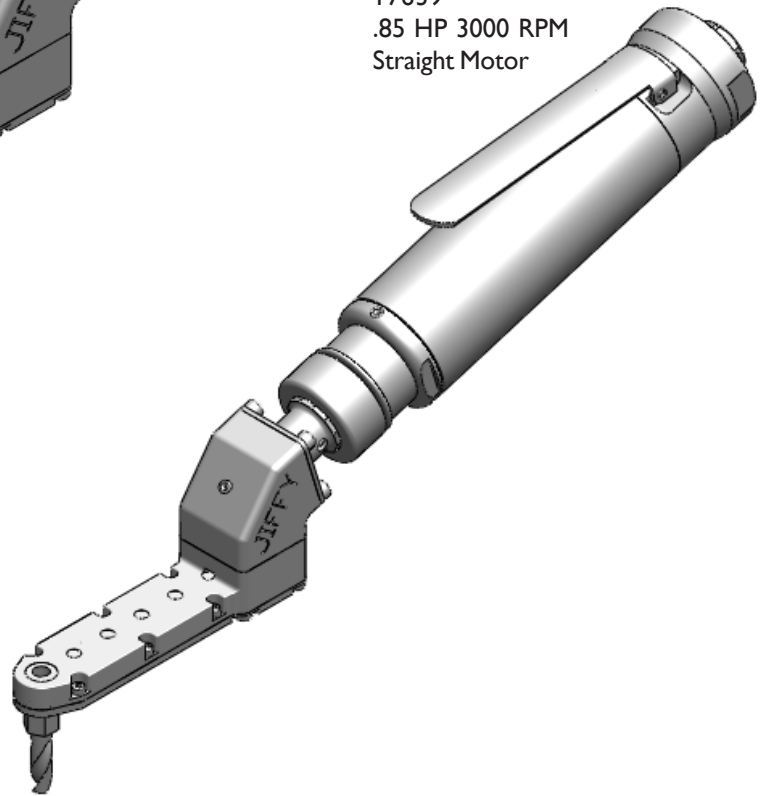
## SERIES 3 17 DEGREE DRILLS



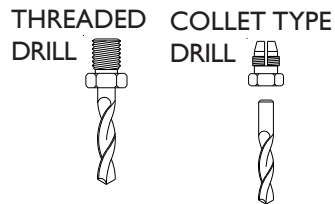
**1783 ATTACHMENT ONLY**  
PART OF THE JIFFY MODULAR DRILL SYSTEM



Shown with  
17639  
.85 HP 3000 RPM  
Straight Motor



You must select an  
internal thread



INTERNAL THREAD CODE	
1/4-28	A
10-32	C
9/32-40	E
5/16-24	F
7mm COLLET	D

PHONE: 1 775 883 1072    FAX: 1 775 883 4857