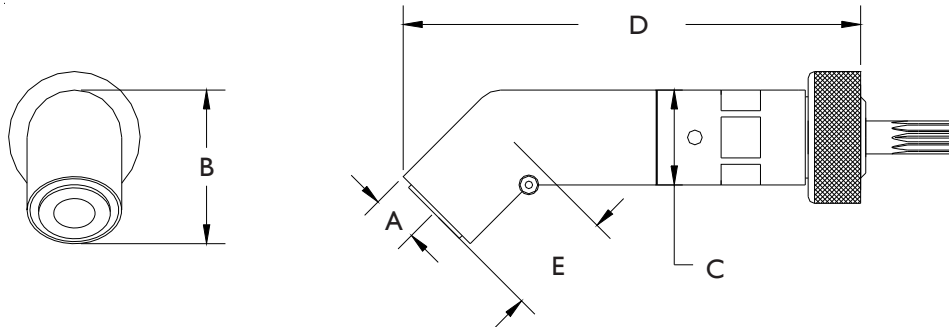


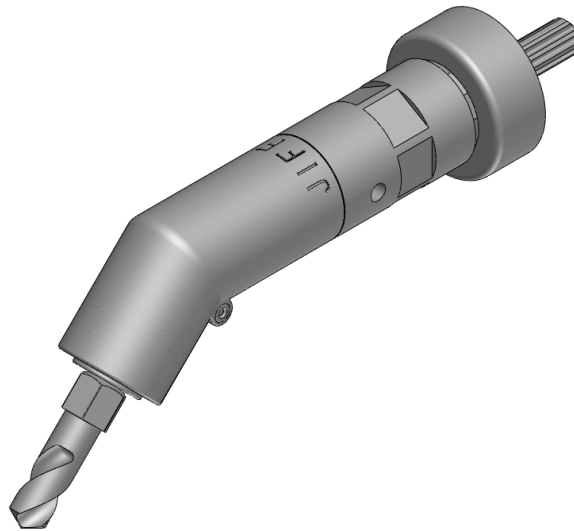
	A	B	C	D	E	45 DEGREE DRILL	
INCH	.450	1.458	.900	4.350	1.030	MAXIMUM RECOMMENDED DRILL DIAMETER	.375
MM	11.43	37.04	22.86	110.49	26.16		9.5 mm



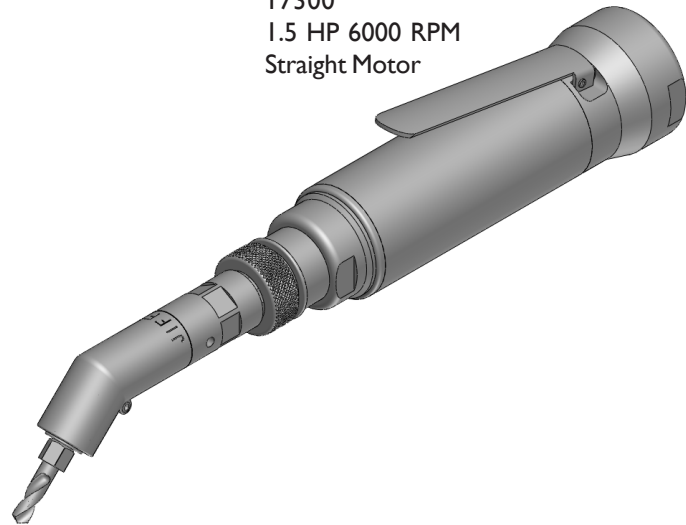
ALL BEARING SUPER DUTY 45 DEGREE DRILL ATTACHMENT



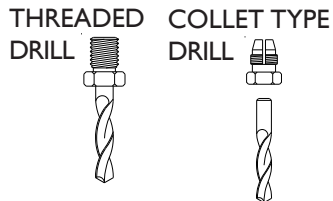
17596 ATTACHMENT ONLY  
PART OF THE JIFFY MODULAR DRILL SYSTEM



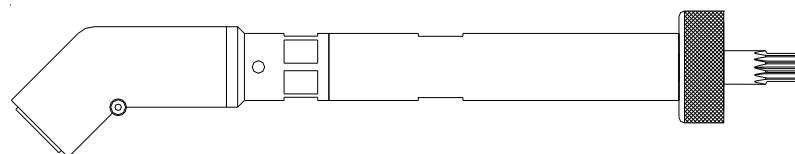
Shown with  
17300  
1.5 HP 6000 RPM  
Straight Motor



You must select an  
internal thread



INTERNAL THREAD CODE	
1/4-28	A
9/32-40	E
5/16-24	F
3/8-24 FEMALE	Z
7mm COLLET	D
3/8-24 MALE	Y



ATTACHMENT SHOWN WITH OPTIONAL  
3.750" 95.25mm G EXTENSION ASSEMBLY

PHONE: 775 883 1072 FAX: 775 883 4857