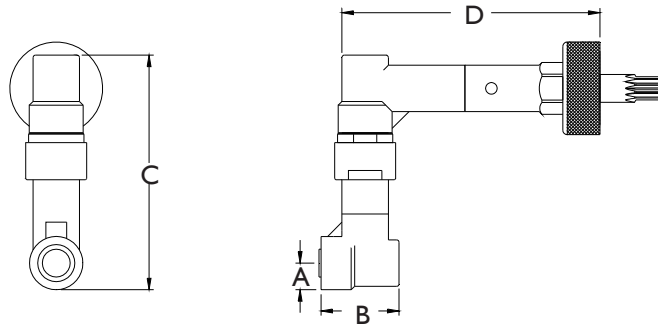


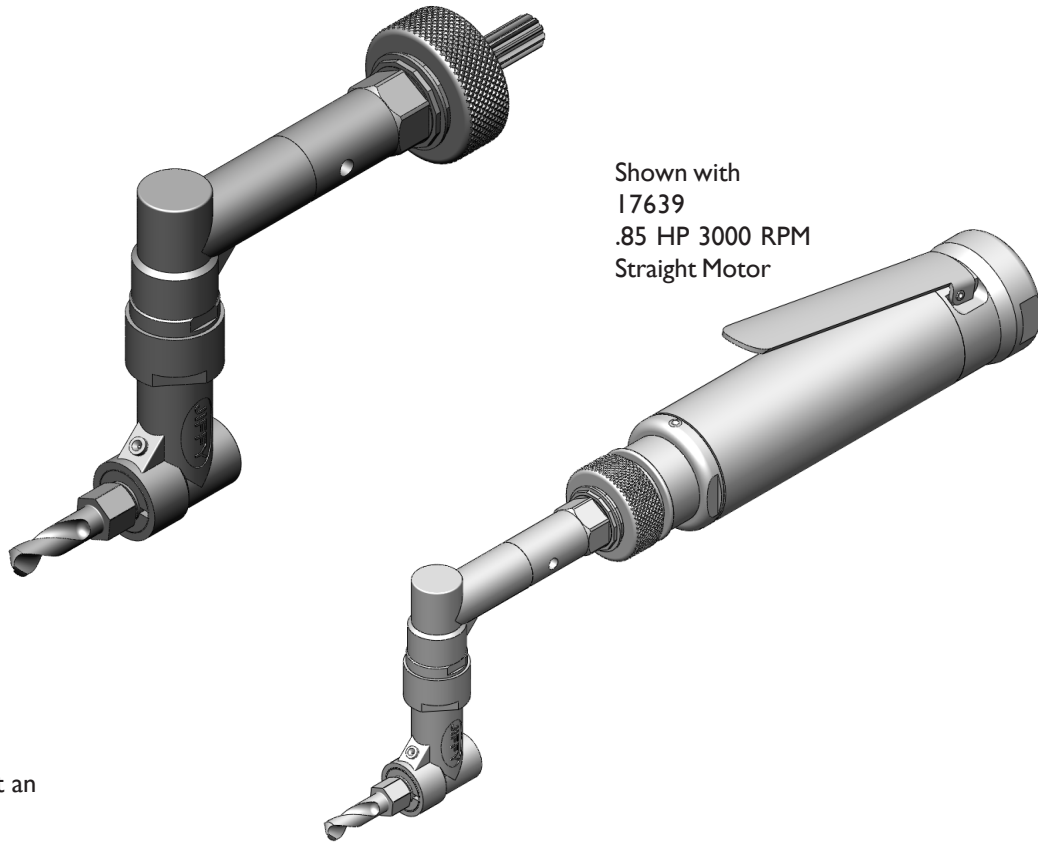
	A	B	C	D	360 DEGREE DRILL	
INCH	.362	1.049	3.162	3.550	MAXIMUM RECOMMENDED DRILL DIAMETER	.250
MM	9.19	26.64	80.31	90.17		6.35 mm



ALL BEARING 360 DEGREE DRILL ATTACHMENT

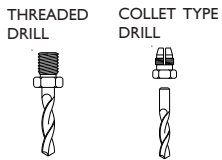


I5000 ATTACHMENT ONLY
PART OF THE JIFFY MODULAR DRILL SYSTEM

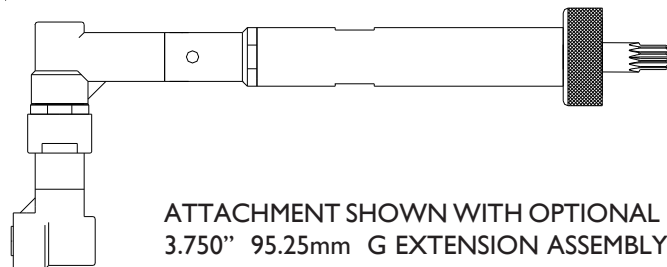


Shown with
I7639
.85 HP 3000 RPM
Straight Motor

You must select an
internal thread



INTERNAL THREAD CODE	
1/4-28	A
10-32	C
9/32-40	E
7mm COLLET	D



ATTACHMENT SHOWN WITH OPTIONAL
3.750" 95.25mm G EXTENSION ASSEMBLY

PHONE: 775 883 1072 FAX: 775 883 4857