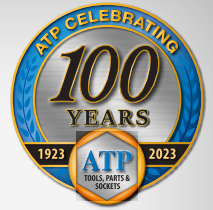


ATP



Impact Sockets, Striking Wrenches, & Accessories



ATP— Superior Strength and Precision Turning Motion

ATP IS A DIVISION OF HY-TECH ENGINEERED SOLUTIONS



Contents

1/2 Inch Square Drive	40
Six Point Impact Sockets	
In-star Drivers	
Hex Driver and 12 Point Sockets	
Ret Rings	
Power Line Utility Sockets	
3/4 Inch Square Drive	47
Six Point Impact Sockets	
Hex Driver Sockets	
Double Square Impact Sockets	
12 Point Sockets	
Accessories	
Railroad Sockets	54
1 Inch Square Drive	54
Six Point Impact Sockets	
Hex Driver Sockets	
Double Square Impact Sockets	
12 Point Sockets	
Accessories	
1-1/2 Inch Square Drive	62
Six Point Impact Sockets	
12 Point Sockets	
Accessories	
2-1/2 Inch Square Drive	67
Six Point Impact Sockets	
Accessories	
3-1/2 Inch Square Drive	71
Six Point Impact Sockets	
Accessories	
#5 Spline Drive	73
Six Point Impact Sockets	
BUDD Wheel Sockets	
Accessories for #5 Spline Drive	
Flat Striking Wrenches (12 Point Opening)	76
Request for Quote (Special Socket Order)	78

ATP

*Impact Sockets, Striking
Wrenches, & Accessories*



Warranty Statement:

ATP standard sockets and striking wrenches are backed by our lifetime warranty against defects in material and workmanship. Thin-walled sockets, hex driver sockets, adapters, universal joints, custom sockets, and other accessories are not lifetime warrantied.

Usage and Safety Inspection

IMPACT SOCKETS, STRIKING WRENCHES, & ACCESSORIES

Safety For Productivity

- Users and bystanders must wear safety glasses conforming to ANSI Z87.1
- Do not hold sockets, extensions, and accessories while impacting or powering to avoid injury
- 3/4" drive and larger sizes require the use of ret rings or a Pin & O-ring to secure the socket to the drive
- Never use a nail or homemade pin to secure a socket to a drive
- Never exceed the manufacturer's air tool pressure rating, and hydraulic pressure rating
- Never use a hand chrome socket for impacting or striking applications
- Impact sockets are used to tighten or loosen fasteners powered by air, hydraulic or electric tools
- Never dwell on a socket after it has stopped turning, this can damage both the socket and fastener
- Ensure the socket is fully engaged on the fastener before activating the power tool source
- Impact adapter strength is limited to the smallest drive size or connection point
- Always limit the joints and extensions between the socket and power tool to reduce failure
- Sockets must be properly sized and fitted to the fastener prior to use
- Large drive impact sockets are inherently heavy and care needs to be taken in handling
- Socket openings need to be inspected before each use, and discarded if significant wear or deterioration is present
- Inspect and discard worn or cracked sockets at the drive opening and across the flats
- Striking wrenches must be properly sized and fitted to the fastener prior to use
- Striking to the wrench should only occur on the striking lug end, opposite the fastener engaged end
- Operators hand must be as far away from the striking lug during striking
- Striking wrench must be fully engaged on the fastener prior to striking
- The linear surface on a flat or offset striking wrench must be a true horizontal axis prior to striking
- Striking wrenches must be inspected prior to each use, and discarded if significant wear, cracks or other damage is visually evident across the flats and striking lug surface
- Large size striking wrenches are inherently heavy and care needs to be taken in handling



ATP 1/2" SQUARE DRIVE

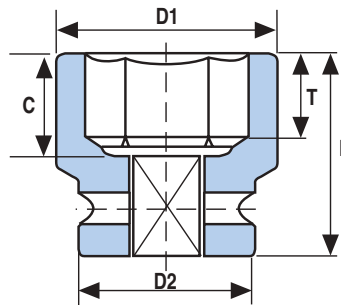
SIX POINT IMPACT SOCKETS



ATP 1/2" Drive impact sockets are preferred in many industrial applications where long lasting sockets are required for severe applications. From assembly line to heavy plant maintenance, ATP sockets and accessories increase productivity and reduce costly downtime.

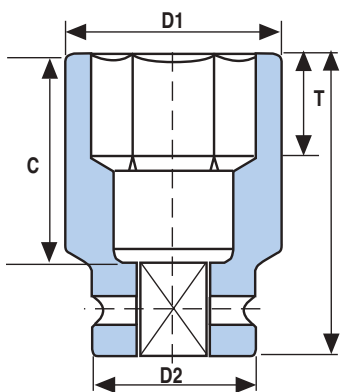
Standard Fractional Sizes

SIZE in	PART#	D1 in	D2 in	L in	T in	C in
3/8	Z-0806	.630	.984	1.482	.157	.595
7/16	Z-0807	.748	.984	1.482	.236	.595
1/2	Z-0808	.787	.984	1.482	.236	.674
9/16	Z-0809	.866	.984	1.482	.276	.674
5/8	Z-0810	.984	1.181	1.482	.315	.753
11/16	Z-0811	1.102	1.181	1.482	.354	.753
3/4	Z-0812	1.102	1.181	1.482	.335	.753
13/16	Z-0813	1.181	1.181	1.482	.433	.832
7/8	Z-0814	1.181	1.181	1.482	.512	.91
15/16	Z-0815	1.378	1.181	1.482	.512	.91
1	Z-0816	1.496	1.181	1.482	.512	.95
1-1/16	Z-0817	1.496	1.181	1.950	.512	.95
1-1/8	Z-0818	1.614	1.181	1.560	.643	1.107
1-3/16	Z-0819	1.614	1.181	1.950	.643	1.107
1-1/4	Z-0820	1.732	1.378	1.560	.669	1.107
1-5/16	Z-0821	1.732	1.378	1.677	.748	1.186
1-3/8	Z-0822	1.929	1.378	1.560	.748	1.265
1-7/16	Z-0823	1.929	1.732	1.950	.748	1.265
1-1/2	Z-0824	2.047	1.732	1.950	.846	1.344



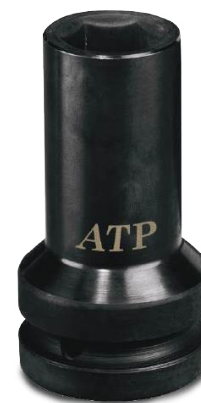
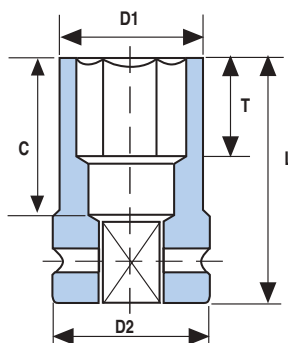
Deep Fractional Sizes

SIZE in	PART#	D1 in	D2 in	L in	T in	C in
3/8	Z-0806L	.630	.984	3.042	.157	2.721
7/16	Z-0807L	.748	.984	3.042	.236	2.721
1/2	Z-0808L	.787	.984	3.042	.236	2.721
9/16	Z-0809L	.866	.984	3.042	.276	2.721
5/8	Z-0810L	.984	1.181	3.042	.315	2.721
11/16	Z-0811L	1.102	1.181	3.042	.354	2.721
3/4	Z-0812L	1.102	1.181	3.042	.335	2.721
13/16	Z-0813L	1.181	1.181	3.042	.433	2.721
7/8	Z-0814L	1.181	1.181	3.042	.512	2.721
15/16	Z-0815L	1.378	1.181	3.042	.512	2.721
1	Z-0816L	1.496	1.181	3.042	.512	2.721
1-1/16	Z-0817L	1.496	1.181	3.042	.512	2.721
1-1/8	Z-0818L	1.614	1.181	3.042	.643	2.721
1-3/16	Z-0819L	1.614	1.181	3.042	.643	2.721
1-1/4	Z-0820L	1.732	1.378	3.042	.669	2.721
1-5/16	Z-0821L	1.732	1.378	3.042	.748	2.721
1-3/8	Z-0822L	1.929	1.378	3.042	.748	2.721
1-7/16	Z-0823L	1.929	1.732	3.042	.748	2.721
1-1/2	Z-0824L	2.047	1.732	3.042	.846	2.721



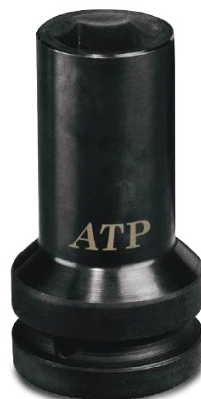
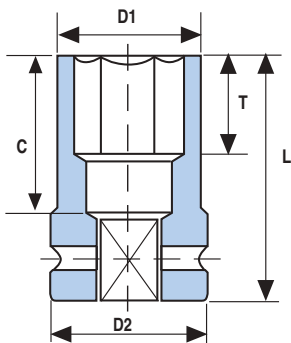
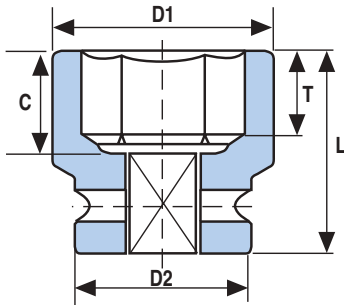
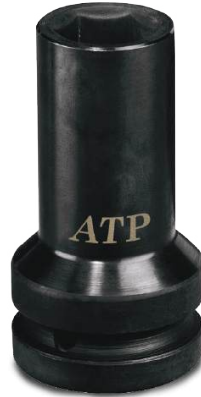
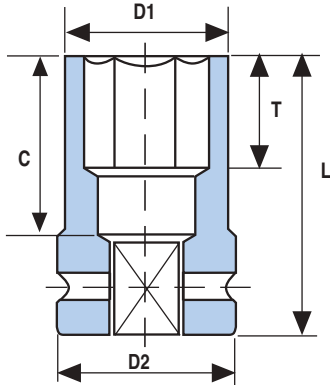
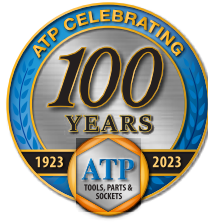
Standard Fractional Thinwall Sizes

SIZE in	PART#	D1 in	D2 in	L in	T in	C in
9/16	Z-0809T	.866	.984	1.482	.551	.700
5/8	Z-0810T	.984	.984	1.482	.551	.750
11/16	Z-0811T	.984	.984	1.482	.551	.750
3/4	Z-0812T	1.102	1.181	1.482	.551	.750
13/16	Z-0813T	1.102	1.181	1.482	.551	.780
7/8	Z-0814T	1.181	1.181	1.482	.551	.780
15/16	Z-0815T	1.299	1.181	1.482	.551	.810



ATP 1/2" SQUARE DRIVE

SIX POINT IMPACT SOCKETS



Deep Fractional Thinwall Sizes

SIZE in	PART#	D1 in	D2 in	L in	T in	C in
9/16	Z-0809LT	.866	.984	3.042	.551	2.721
5/8	Z-0810LT	.984	.984	3.042	.551	2.721
11/16	Z-0811LT	.984	.984	3.042	.551	2.721
3/4	Z-0812LT	1.102	1.181	3.042	.551	2.721
13/16	Z-0813LT	1.102	1.181	3.042	.551	2.721
7/8	Z-0814LT	1.181	1.181	3.042	.551	2.721
15/16	Z-0815LT	1.299	1.181	3.042	.551	2.721

Standard Metric Sizes

SIZE mm	PART#	D1 mm	D2 mm	L mm	T mm	C mm
8	Z-08M8	15	25	38	4	15
9	Z-08M9	16	25	38	4	15
10	Z-08M10	17	25	38	5	15
11	Z-08M11	19	21	38	5	15
12	Z-08M12	20	25	38	6	17
13	Z-08M13	21	25	38	6	17
14	Z-08M14	22	25	38	7	17
15	Z-08M15	24	30	38	7	19
16	Z-08M16	25	30	38	7	19
17	Z-08M17	26	30	38	9	19
18	Z-08M18	28	30	38	9	19
19	Z-08M19	28	30	38	9.5	19
20	Z-08M20	30	30	38	10	21
21	Z-08M21	30	30	38	10	21
22	Z-08M22	33	30	38	10	21
23	Z-08M23	35	30	38	12	23
24	Z-08M24	35	30	45	12	23
25	Z-08M25	35	30	45	13	24
26	Z-08M26	38	5	50	13	24
27	Z-08M27	38	35	50	13	24
28	Z-08M28	38	35	50	14	25
29	Z-08M29	41	35	50	14	28
30	Z-08M30	41	35	50	16.5	28
31	Z-08M31	44	35	50	16.5	28
32	Z-08M32	44	35	50	16.5	28
33	Z-08M33	44	35	50	17	28
34	Z-08M34	49	35	46	17	30
35	Z-08M35	49	35	50	19	31
36	Z-08M36	49	44	50	19	31
37	Z-08M37	52	44	47	19	31
38	Z-08M38	52	44	50	22	34

Standard Metric Thinwall Sizes

SIZE mm	PART#	D1 mm	D2 mm	L mm	T mm	C mm
13	Z-08M13T	21	25	38	6	18
14	Z-08M14T	22	25	38	7	18
15	Z-08M15T	24	30	38	7	19
16	Z-08M16T	24	30	38	7	19
17	Z-08M17T	25	30	38	9	19
18	Z-08M18T	25	30	38	9	19
19	Z-08M19T	27.5	30	38	9	19
20	Z-08M20T	28	30	38	10	20
21	Z-08M21T	30	30	38	10	20
22	Z-08M22T	31	30	38	10	20
23	Z-08M23T	33	30	38	12	20
24	Z-08M24T	33	30	45	12	20

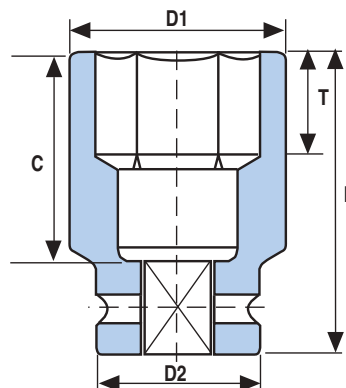
ATP 1/2" SQUARE DRIVE

SIX POINT IMPACT SOCKETS



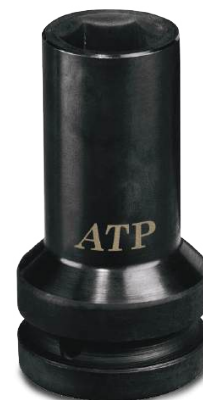
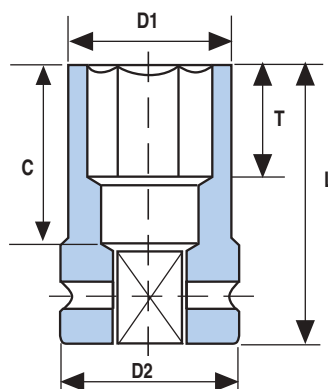
Deep Metric Sizes

SIZE mm	PART#	D1 mm	D2 mm	L mm	T mm	C mm
8	Z-08M8L	15	25	78	4	69
9	Z-08M9L	16	25	78	4	69
10	Z-08M10L	17	25	78	5	69
11	Z-08M11L	19	25	78	5	69
12	Z-08M12L	20	25	78	6	69
13	Z-08M13L	21	25	78	6	69
14	Z-08M14L	22	25	78	7	69
15	Z-08M15L	24	30	78	7	69
16	Z-08M16L	25	30	78	7	69
17	Z-08M17L	26	30	78	9	69
18	Z-08M18L	28	30	78	9	69
19	Z-08M19L	28	30	78	9.5	69
20	Z-08M20L	30	30	78	10	69
21	Z-08M21L	30	30	78	10	69
22	Z-08M22L	33	30	78	10	69
23	Z-08M23L	35	30	78	12	69
24	Z-08M24L	35	30	78	12	69
25	Z-08M25L	35	30	78	13	69
26	Z-08M26L	38	35	78	13	69
27	Z-08M27L	38	35	78	13	69
28	Z-08M28L	38	35	78	14	69
29	Z-08M29L	41	35	78	14	69
30	Z-08M30L	41	35	78	16.5	69
31	Z-08M31L	44	35	78	16.5	69
32	Z-08M32L	44	35	78	16.5	69
33	Z-08M33L	44	35	78	17	69
34	Z-08M34L	49	35	78	17	69
35	Z-08M35L	49	35	78	19	69
36	Z-08M36L	49	44	78	19	69
37	Z-08M37L	52	44	78	19	69
38	Z-08M38L	52	44	78	22	69



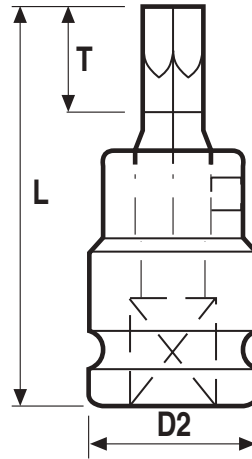
Deep Metric Thinwall Sizes

SIZE mm	PART#	D1 mm	D2 mm	L mm	T mm	C mm
13	Z-08M13LT	21	25	78	6	69
14	Z-08M14LT	22	25	78	7	69
15	Z-08M15LT	24	30	78	7	69
16	Z-08M16LT	25	30	78	7	69
17	Z-08M17LT	25	30	78	9	69
18	Z-08M18LT	25	30	78	9	69
19	Z-08M19LT	28	30	78	9	69
20	Z-08M20LT	28	30	78	10	69
21	Z-08M21LT	30	30	78	10	69
22	Z-08M22LT	30	30	78	10	69
23	Z-08M23LT	33	30	78	12	69
24	Z-08M24LT	33	30	78	12	69



ATP 1/2" SQUARE DRIVE

TORX DRIVER SOCKETS



In-Star Socket Driver Sizes

TORX®	PART#	D2 mm	L mm	T mm	Weight gr	REPLACEMENT TORX® BIT	BIT DESCRIPTION
T30	Z-08T30	25	57	3.19	110	HT30	11 mm HEX x 30
T40	Z-08T40	25	57	3.3	110	HT40	11 mm HEX x 40
T50	Z-08T50	25	57	4.57	110	HT50	11 mm HEX x 50
T55	Z-08T55	25	57	5.08	110	HT55	16 mm HEX x 55
T60	Z-08T60	30	60	7.62	160	HT60	16 mm HEX x 60
T70	Z-08T70	30	60	8.89	170	HT70	16 mm HEX x 70

TORX® is a Registered Trademark of Cam Car

Note: 2-piece construction

ATP 1/2" SQUARE DRIVE

HEX DRIVER SOCKETS



Fractional Sizes

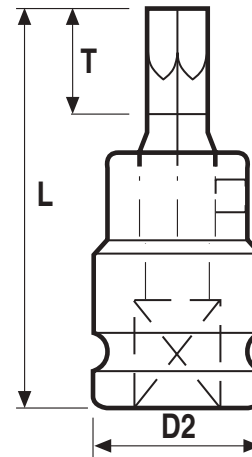
SIZE in	PART#	D2 in	L in	T in
1/8	Z-0802V	.984	1.716	.748
5/32	Z-08005V	.984	1.716	.748
3/16	Z-0803V	.984	1.716	.748
7/32	Z-08007V	.984	1.716	.748
1/4	Z-0804V	.984	1.716	.748
5/16	Z-0805V	.984	1.716	.748
3/8	Z-0806V	.984	1.833	.866
7/16	Z-0807V	.984	1.950	.984
1/2	Z-0808V	1.181	1.950	.984
9/16	Z-0809V	1.181	1.950	.984
5/8	Z-0810V	1.181	1.950	.984

Note: 2-piece construction

Metric Sizes

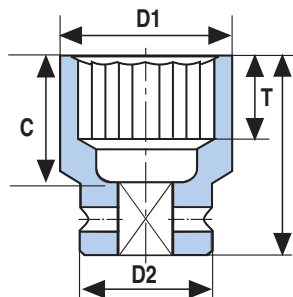
SIZE mm	PART#	D2 mm	L mm	T mm
3	Z-08M3V	25	44	19
4	Z-08M4V	25	44	19
5	Z-08M5V	25	44	19
6	Z-08M6V	25	44	19
8	Z-08M8V	25	44	19
10	Z-08M10V	25	47	22
12	Z-08M12V	30	50	25
14	Z-08M14V	30	50	25
17	Z-08M17V	30	50	25
19	Z-08M19V	33	50	25

Note: 2-piece construction



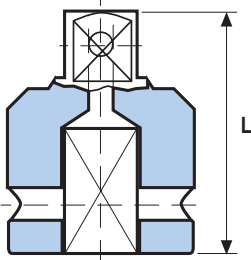
12 Point Impact Socket Sizes

SIZE in	SIZE mm	PART#	D1 mm	D2 mm	L mm	T mm	Weight gr
3/4	19	DH-0812M19	28	30	38	9.5	130
13/16		DH-0813	30	30	38	11	130
7/8		DH-0814	32	32	38	13	140
15/16		DH-0815	35	35	38	13	160
1		DH-0816	38	35	38	13	200
1-1/16	27	DH-0817M27	38	35	50	13	200
1-1/8		DH-0818	41	35	40	16.5	290
1 3/16	30	DH-0819M30	41	35	50	16.5	290
1-1/4		DH-0820	44	35	40	17	350
1-5/16		DH-0821	49	35	43	19	370
1-3/8	35	DH-0822M35	49	35	50	19	370
1-7/16		DH-0823	49	44	50	19	370
1-1/2	38	DH-0824M38	52	44	50	22	400



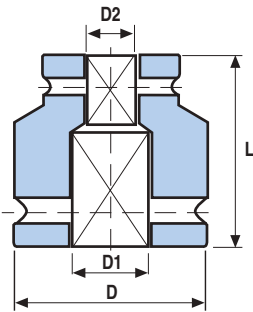
ATP 1/2" SQUARE DRIVE

ACCESSORIES



Adapters

PART#	FEMALE in	MALE in	L in
A0810	1/2	5/8	1.38
A0812	1/2	3/4	1.69



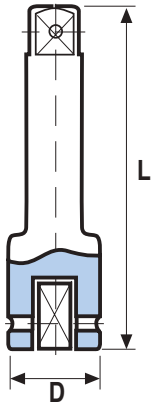
Double Ended Female Adapters

PART#	D1 in	D2 in	L in	D in
AN0808	1/2	1/2	1.29	.984
AN1208	3/4	1/2	1.93	1.73



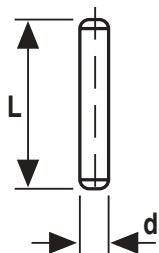
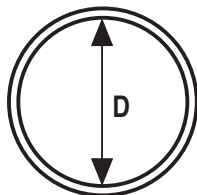
Universal Joint

SIZE in	PART#
1/2	U0808



Extensions

PART#	D in	L in
E0803	1.181	3
E0805	1.181	5
E0810	1.181	10



Retaining Pins and Rings

SQUARE DRIVE	SOCKET SIZES	PIN#	RING#	d in	L in	D in
1/2	Up To 9/16" (14mm)	P0825	R0825	.117	.780	.741
1/2	From 9/16" To 1-3/16" (30mm)	P0830	R0830	.117	.975	.936
1/2	Above 1-3/16" (30mm)	P0835	R0835	.117	1.17	1.17



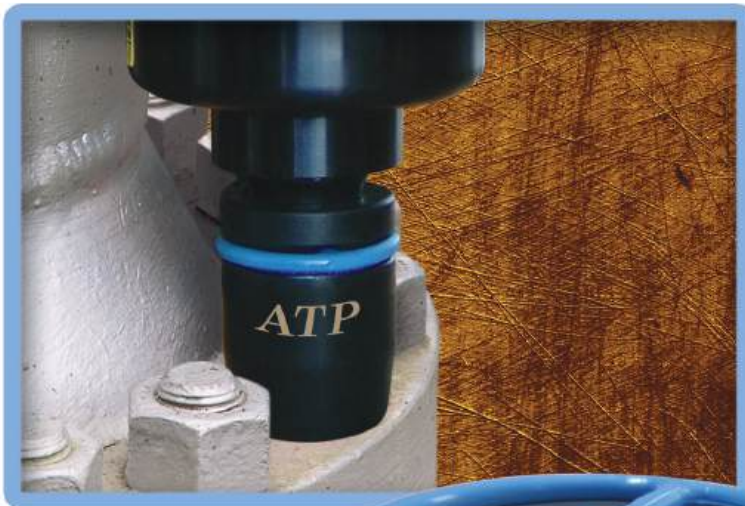
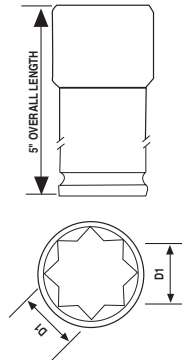
UTILITY SOCKETS

UTILITY SOCKETS (POWER LINE SOCKETS)

Z-081315S5 - 13/16" X 15/16"

Z-081618S5 - 1" X 1-1/8"

Specifically designed for hydraulic wrenches and impact wrenches



RETAINING RING[®]

Ret Rings are tool accessories used to attach impact sockets to the square drive anvil. The ret ring is a one piece design socket retainer with a steel insert encapsulated to reinforce a stress point between the socket and anvil.

Specific application part numbers have been provided for each socket type, starting with 3/4" drive.



ATP 3/4" SQUARE DRIVE

SIX POINT IMPACT SOCKETS

ATP 3/4" drive sockets (and larger) are also available by special order as Spark Resistant for use in mines, chemical plants, grain processors and anywhere explosive conditions exist.

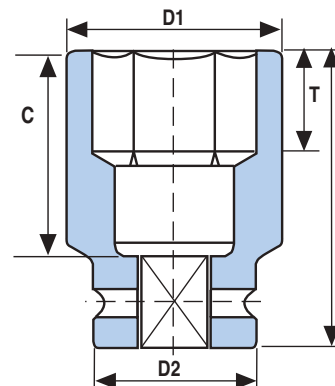
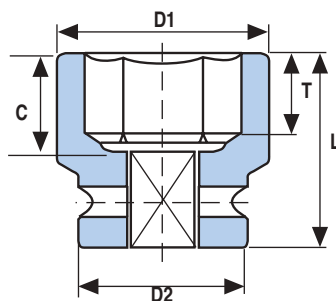


Standard Fractional Sizes

SIZE in	PART#	D1 in	D2 in	L in	T in	C in	RET RING
1/2	Z-1208	.945	1.732	1.755	.236	.772	RR10032S
9/16	Z-1209	.984	1.732	1.755	.276	.772	RR10032S
5/8	Z-1210	1.102	1.732	1.755	.315	.772	RR10032S
11/16	Z-1211	1.142	1.732	1.755	.354	.772	RR10032S
3/4	Z-1212	1.260	1.732	1.755	.372	.772	RR10032S
13/16	Z-1213	1.378	1.732	1.794	.433	.890	RR10032S
7/8	Z-1214	1.496	1.732	1.794	.512	.890	RR10032S
15/16	Z-1215	1.575	1.732	1.794	.512	.890	RR10032S
1	Z-1216	1.614	1.732	1.794	.512	.890	RR10032S
1-1/16	Z-1217	1.732	1.732	2.028	.512	1.047	RR10032S
1-1/8	Z-1218	1.732	1.732	2.028	.650	1.047	RR10032S
1-3/16	Z-1219	1.732	1.732	2.028	.650	1.047	RR10032S
1-1/4	Z-1220	1.929	1.732	2.028	.650	1.047	RR10032S
1-5/16	Z-1221	1.929	1.732	2.145	.748	1.165	RR10032S
1-3/8	Z-1222	2.047	1.732	2.145	.748	1.165	RR10032S
1-7/16	Z-1223	2.047	1.732	2.184	.748	1.205	RR10032S
1-1/2	Z-1224	2.126	1.732	2.301	.866	1.283	RR10032S
1-9/16	Z-1225	2.244	1.732	2.301	.866	1.283	RR10032S
1-5/8	Z-1226	2.244	1.732	2.301	.866	1.283	RR10032S
1-11/16	Z-1227	2.480	1.732	2.496	.984	1.441	RR10032S
1-3/4	Z-1228	2.480	1.732	2.496	.995	1.480	RR10032S
1-13/16	Z-1229	2.638	1.732	2.496	.995	1.480	RR10032S
1-7/8	Z-1230	2.638	2.126	2.613	1.062	1.598	RR10010S
1-15/16	Z-1231	2.756	2.126	2.613	1.062	1.598	RR10010S
2	Z-1232	2.874	2.126	2.613	1.062	1.598	RR10010S
2-1/16	Z-1233	2.874	2.126	2.769	1.181	1.756	RR10010S
2-1/8	Z-1234	2.874	2.126	2.769	1.181	1.795	RR10010S
2-3/16	Z-1235	3.071	2.126	2.886	1.260	1.795	RR10010S
2-1/4	Z-1236	3.228	2.126	2.925	1.299	1.913	RR10010S
2-5/16	Z-1237	3.228	2.126	2.925	1.299	1.953	RR10010S
2-3/8	Z-1238	3.228	2.126	2.925	1.378	1.953	RR10010S

Deep Fractional Sizes

SIZE in	PART#	D1 in	D2 in	L in	T in	C in	RET RING
1/2	Z-1208L	.945	1.732	3.510	.236	2.543	RR10032S
9/16	Z-1209L	.984	1.732	3.510	.276	2.543	RR10032S
5/8	Z-1210L	1.102	1.732	3.510	.315	2.543	RR10032S
11/16	Z-1211L	1.142	1.732	3.510	.354	2.543	RR10032S
3/4	Z-1212L	1.260	1.732	3.510	.372	2.543	RR10032S
13/16	Z-1213L	1.378	1.732	3.510	.433	2.543	RR10032S
7/8	Z-1214L	1.496	1.732	3.510	.512	2.543	RR10032S
15/16	Z-1215L	1.575	1.732	3.510	.512	2.543	RR10032S
1	Z-1216L	1.614	1.732	3.510	.512	2.543	RR10032S
1-1/16	Z-1217L	1.732	1.732	3.510	.512	2.543	RR10032S
1-1/8	Z-1218L	1.732	1.732	3.510	.650	2.543	RR10032S
1-3/16	Z-1219L	1.732	1.732	3.510	.650	2.543	RR10032S
1-1/4	Z-1220L	1.929	1.732	3.510	.669	2.543	RR10032S
1-5/16	Z-1221L	1.929	1.732	3.510	.748	2.543	RR10032S
1-3/8	Z-1222L	2.047	1.732	3.510	.748	2.543	RR10032S
1-7/16	Z-1223L	2.047	1.732	3.510	.748	2.543	RR10032S
1-1/2	Z-1224L	2.126	1.732	3.510	.866	2.543	RR10032S
1-9/16	Z-1225L	2.244	1.732	3.510	.866	2.543	RR10032S
1-5/8	Z-1226L	2.244	1.732	3.510	.866	2.543	RR10032S
1-11/16	Z-1227L	2.480	1.732	3.510	.984	2.543	RR10032S
1-3/4	Z-1228L	2.480	1.732	3.510	.995	2.543	RR10032S
1-13/16	Z-1229L	2.638	1.732	3.510	.995	2.543	RR10032S
1-7/8	Z-1230L	2.638	2.126	3.510	1.062	2.543	RR10010S
1-15/16	Z-1231L	2.756	2.126	3.510	1.062	2.543	RR10010S
2	Z-1232L	2.874	2.126	3.510	1.062	2.543	RR10010S
2-1/16	Z-1233L	2.874	2.126	3.666	1.181	2.701	RR10010S
2-1/8	Z-1234L	2.874	2.126	3.666	1.181	2.740	RR10010S
2-3/16	Z-1235L	3.071	2.126	3.666	1.260	2.740	RR10010S
2-1/4	Z-1236L	3.228	2.126	3.822	1.299	2.858	RR10010S
2-5/16	Z-1237L	3.228	2.126	3.822	1.299	2.898	RR10010S
2-3/8	Z-1238L	3.228	2.126	3.822	1.378	2.898	RR10010S



ATP 3/4" SQUARE DRIVE

SIX POINT IMPACT SOCKETS



Standard Metric Sizes

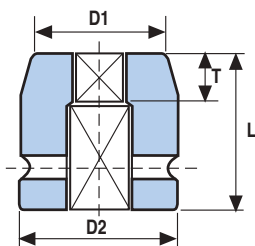


SIZE mm	PART#	D1 mm	D2 mm	L mm	T mm	C mm	RET RING
13	Z-12M13	25	44	45	6	20	RR10032S
14	Z-12M14	25	44	45	7	20	RR10032S
15	Z-12M15	28	44	45	7	20	RR10032S
16	Z-12M16	29	44	45	7	20	RR10032S
17	Z-12M17	29	44	45	9	20	RR10032S
18	Z-12M18	32	44	45	9.5	20	RR10032S
19	Z-12M19	32	44	45	9.5	20	RR10032S
20	Z-12M20	35	44	46	10	21	RR10032S
21	Z-12M21	35	44	46	10	21	RR10032S
22	Z-12M22	38	44	46	10	21	RR10032S
23	Z-12M23	38	44	46	12	21	RR10032S
24	Z-12M24	40	44	46	12	21	RR10032S
25	Z-12M25	41	44	46	13	21	RR10032S
26	Z-12M26	41	44	46	13	21	RR10032S
27	Z-12M27	41	44	48	13	23	RR10032S
28	Z-12M28	44	44	48	14	23	RR10032S
29	Z-12M29	44	44	52	14	27	RR10032S
30	Z-12M30	44	44	52	16.5	27	RR10032S
31	Z-12M31	49	44	52	16.5	27	RR10032S
32	Z-12M32	49	44	52	16.5	27	RR10032S
33	Z-12M33	49	44	55	17	30	RR10032S
34	Z-12M34	52	44	55	17	30	RR10032S
35	Z-12M35	52	44	55	19	30	RR10032S
36	Z-12M36	52	44	56	19	31	RR10032S
37	Z-12M37	54	44	56	19	31	RR10032S
38	Z-12M38	54	44	59	22	34	RR10032S
39	Z-12M39	57	44	59	21.5	34	RR10032S
40	Z-12M40	57	44	59	21.5	34	RR10032S
41	Z-12M41	57	44	59	22	34	RR10032S
42	Z-12M42	60	44	59	21.5	34	RR10032S
43	Z-12M43	63	44	64	25	39	RR10032S
44	Z-12M44	63	44	64	21.5	39	RR10032S
45	Z-12M45	63	44	64	21.5	39	RR10032S
46	Z-12M46	67	44	64	25.5	39	RR10032S
47	Z-12M47	67	54	64	23.5	39	RR10010S
48	Z-12M48	67	54	67	23.5	42	RR10010S
49	Z-12M49	70	54	67	27	42	RR10010S
50	Z-12M50	70	54	67	23.5	42	RR10010S
51	Z-12M51	73	54	67	27	42	RR10010S
52	Z-12M52	73	54	70	27	45	RR10010S
54	Z-12M54	78	54	71	30	46	RR10010S
55	Z-12M55	78	54	71	27	46	RR10010S
56	Z-12M56	78	54	74	28	49	RR10010S
57	Z-12M57	82	54	75	33	50	RR10010S
58	Z-12M58	82	54	75	28	50	RR10010S
59	Z-12M59	82	54	75	33	50	RR10010S
60	Z-12M60	82	54	75	28	50	RR10010S
61	Z-12M61	86	54	75	28	50	RR10010S

Deep Metric Sizes

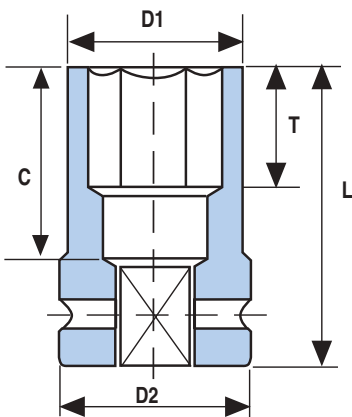


SIZE mm	PART#	D1 mm	D2 mm	L mm	T mm	C mm	RET RING
13	Z-12M13L	25	44	90	6	65	RR10032S
14	Z-12M14L	25	44	90	7	65	RR10032S
15	Z-12M15L	28	44	90	7	65	RR10032S
16	Z-12M16L	29	44	90	7	65	RR10032S
17	Z-12M17L	29	44	90	9	65	RR10032S
18	Z-12M18L	32	44	90	9	65	RR10032S
19	Z-12M19L	32	44	90	9.5	65	RR10032S
20	Z-12M20L	35	44	90	10	65	RR10032S
21	Z-12M21L	35	44	90	10	65	RR10032S
22	Z-12M22L	38	44	90	10	65	RR10032S
23	Z-12M23L	38	44	90	12	65	RR10032S
24	Z-12M24L	40	44	90	12	65	RR10032S
25	Z-12M25L	41	44	90	13	65	RR10032S
26	Z-12M26L	41	44	90	13	65	RR10032S
27	Z-12M27L	41	44	90	13	65	RR10032S
28	Z-12M28L	44	44	90	14	65	RR10032S
29	Z-12M29L	44	44	90	14	65	RR10032S
30	Z-12M30L	44	44	90	16.5	65	RR10032S
31	Z-12M31L	49	44	90	16.5	65	RR10032S
32	Z-12M32L	49	44	90	16.5	65	RR10032S
33	Z-12M33L	49	44	90	17	65	RR10032S
34	Z-12M34L	52	44	90	17	65	RR10032S
35	Z-12M35L	52	44	90	19	65	RR10032S
36	Z-12M36L	52	44	90	19	65	RR10032S
37	Z-12M37L	54	44	90	19	65	RR10032S
38	Z-12M38L	54	44	90	22	65	RR10032S
39	Z-12M39L	57	44	90	21.5	65	RR10032S
40	Z-12M40L	57	44	90	21.5	65	RR10032S
41	Z-12M41L	57	44	90	22	65	RR10032S
42	Z-12M42L	60	44	90	21.5	65	RR10032S
43	Z-12M43L	63	44	90	25	65	RR10032S
44	Z-12M44L	63	44	90	21.5	65	RR10032S
45	Z-12M45L	63	44	90	21.5	65	RR10032S
46	Z-12M46L	67	44	90	25.5	65	RR10032S
47	Z-12M47L	67	54	90	23.5	65	RR10010S
48	Z-12M48L	67	54	90	23.5	65	RR10010S
49	Z-12M49L	70	54	90	27	65	RR10010S
50	Z-12M50L	70	54	90	23.5	65	RR10010S
51	Z-12M51L	73	54	94	27	65	RR10010S
52	Z-12M52L	73	54	94	27	65	RR10010S
54	Z-12M54L	78	54	94	30	69	RR10010S
55	Z-12M55L	78	54	94	27	69	RR10010S
56	Z-12M56L	78	54	98	28	69	RR10010S
57	Z-12M57L	82	54	98	33	73	RR10010S
58	Z-12M58L	82	54	98	28	73	RR10010S
59	Z-12M59L	82	54	98	33	73	RR10010S
60	Z-12M60L	82	54	98	28	73	RR10010S
61	Z-12M61L	86	54	98	28	73	RR10010S



ATP 3/4" SQUARE DRIVE

SIX POINT IMPACT SOCKETS

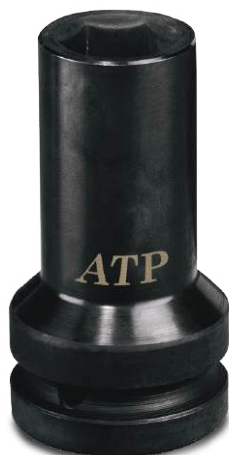


Standard Fractional Thinwall Sizes

SIZE in	PART#	D1 in	D2 in	L in	T in	C in	RET RING
11/16	Z-1211T	1.102	1.732	1.755	.354	.969	RR10032S
3/4	Z-1212T	1.181	1.732	1.755	.375	.969	RR10032S
13/16	Z-1213T	1.378	1.732	1.794	.433	.969	RR10032S
7/8	Z-1214T	1.378	1.732	1.794	.512	.969	RR10032S
15/16	Z-1215T	1.378	1.732	1.794	.512	.969	RR10032S
1	Z-1216T	1.496	1.732	1.794	.512	.969	RR10032S
1-1/16	Z-1217T	1.614	1.732	1.872	.512	1.047	RR10032S
1-1/8	Z-1218T	1.614	1.732	2.028	.650	1.047	RR10032S
1-3/16	Z-1219T	1.732	1.732	2.028	.650	1.047	RR10032S
1-1/4	Z-1220T	1.732	1.732	2.028	.669	1.047	RR10032S
1-5/16	Z-1221T	1.929	1.732	2.145	.748	1.165	RR10032S
1-3/8	Z-1222T	2.047	1.732	2.145	.748	1.165	RR10032S
1-7/16	Z-1223T	2.047	1.732	2.184	.748	1.205	RR10032S
1-1/2	Z-1224T	2.126	1.732	2.301	.866	1.283	RR10032S
1-9/16	Z-1225T	2.126	1.732	2.301	.866	1.283	RR10032S
1-5/8	Z-1226T	2.126	1.732	2.301	.866	1.283	RR10032S
1-11/16	Z-1227T	2.362	1.732	2.496	.984	1.441	RR10032S
1-3/4	Z-1228T	2.362	1.732	2.496	.995	1.480	RR10032S
1-13/16	Z-1229T	2.480	1.732	2.496	.995	1.480	RR10032S

Standard Metric Thinwall Sizes

SIZE mm	PART#	D1 mm	D2 mm	L mm	T mm	C mm	RET RING
17	Z-12M17T	28	44	45	9	20	RR10032S
18	Z-12M18T	30	44	45	9	20	RR10032S
19	Z-12M19T	30	44	45	9.5	21	RR10032S
20	Z-12M20T	30	44	46	10	21	RR10032S
21	Z-12M21T	35	44	46	10	21	RR10032S
22	Z-12M22T	35	44	46	10	21	RR10032S
23	Z-12M23T	35	44	46	12	21	RR10032S
24	Z-12M24T	38	44	46	12	21	RR10032S
25	Z-12M25T	38	44	46	13	21	RR10032S
26	Z-12M26T	41	44	46	13	21	RR10032S
27	Z-12M27T	41	44	48	13	23	RR10032S
28	Z-12M28T	41	44	48	14	23	RR10032S
29	Z-12M29T	41	44	52	14	27	RR10032S
30	Z-12M30T	41	44	52	16.5	27	RR10032S
31	Z-12M31T	44	44	52	16.5	27	RR10032S
32	Z-12M32T	48	44	52	16.5	27	RR10032S
33	Z-12M33T	48	44	55	17	30	RR10032S
34	Z-12M34T	49	44	55	17	30	RR10032S
35	Z-12M35T	50	44	55	19	30	RR10032S
36	Z-12M36T	52	44	56	19	31	RR10032S
37	Z-12M37T	52	44	56	19	31	RR10032S
38	Z-12M38T	52	44	59	22	34	RR10032S
39	Z-12M39T	54	44	59	21.5	34	RR10032S
40	Z-12M40T	54	44	59	21.5	34	RR10032S
41	Z-12M41T	54	44	59	22	34	RR10032S
42	Z-12M42T	57	44	59	21.5	34	RR10032S
43	Z-12M43T	60	44	64	25	39	RR10032S
44	Z-12M44T	60	44	64	21.5	39	RR10032S
45	Z-12M45T	60	44	64	21.5	39	RR10032S
46	Z-12M46T	63	44	64	25.5	39	RR10032S



ATP 3/4" SQUARE DRIVE

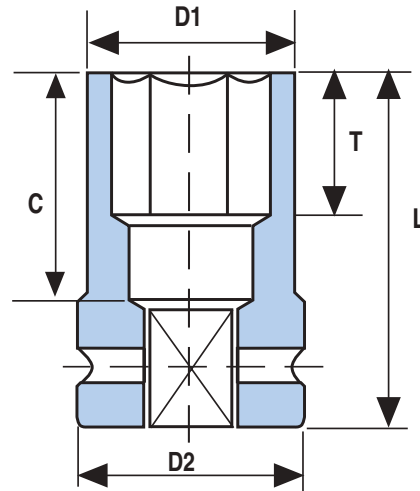
SIX POINT IMPACT SOCKETS



Deep Fractional Thinwall Sizes



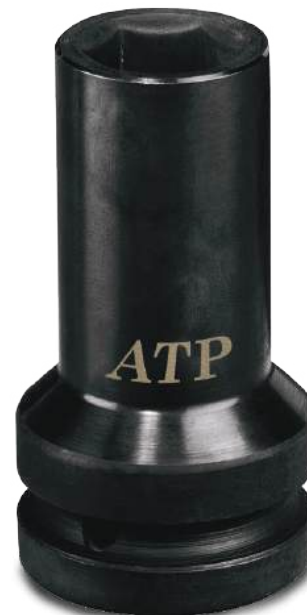
SIZE in	PART#	D1 in	D2 in	L in	T in	C in	RET RING
11/16	Z-1211LT	1.102	1.732	3.510	0.709	2.543	RR10032S
3/4	Z-1212LT	1.181	1.732	3.510	0.748	2.543	RR10032S
13/16	Z-1213LT	1.378	1.732	3.510	0.866	2.543	RR10032S
7/8	Z-1214LT	1.378	1.732	3.510	1.024	2.543	RR10032S
15/16	Z-1215LT	1.378	1.732	3.510	1.024	2.543	RR10032S
1	Z-1216LT	1.496	1.732	3.510	1.024	2.543	RR10032S
1-1/16	Z-1217LT	1.614	1.732	3.510	1.024	2.543	RR10032S
1-1/8	Z-1218LT	1.614	1.732	3.510	1.299	2.543	RR10032S
1-3/16	Z-1219LT	1.732	1.732	3.510	1.299	2.543	RR10032S
1-1/4	Z-1220LT	1.732	1.732	3.510	1.339	2.543	RR10032S
1-5/16	Z-1221LT	1.929	1.732	3.510	1.496	2.543	RR10032S
1-3/8	Z-1222LT	2.047	1.732	3.510	1.496	2.543	RR10032S
1-7/16	Z-1223LT	2.047	1.732	3.510	1.496	2.543	RR10032S
1-1/2	Z-1224LT	2.126	1.732	3.510	1.732	2.543	RR10032S
1-9/16	Z-1225LT	2.126	1.732	3.510	1.732	2.543	RR10032S
1-5/8	Z-1226LT	2.126	1.732	3.510	1.732	2.543	RR10032S
1-11/16	Z-1227LT	2.362	1.732	3.510	1.969	2.543	RR10032S
1-3/4	Z-1228LT	2.362	1.732	3.510	2.008	2.543	RR10032S
1-13/16	Z-1229LT	2.480	1.732	3.510	2.008	2.543	RR10032S



Deep Metric Thinwall Sizes

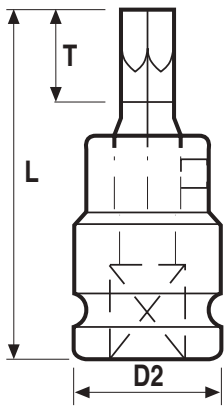


SIZE mm	PART#	D1 mm	D2 mm	L mm	T mm	C mm	RET RING
17	Z-12M17LT	28	44	90	18	65	RR10032S
18	Z-12M18LT	30	44	90	18	65	RR10032S
19	Z-12M19LT	30	44	90	19	65	RR10032S
20	Z-12M20LT	30	44	90	20	65	RR10032S
21	Z-12M21LT	35	44	90	20	65	RR10032S
22	Z-12M22LT	35	44	90	20	65	RR10032S
23	Z-12M23LT	35	44	90	24	65	RR10032S
24	Z-12M24LT	38	44	90	24	65	RR10032S
25	Z-12M25LT	38	44	90	26	65	RR10032S
26	Z-12M26LT	41	44	90	26	65	RR10032S
27	Z-12M27LT	41	44	90	26	65	RR10032S
28	Z-12M28LT	41	44	90	28	65	RR10032S
29	Z-12M29LT	41	44	90	28	65	RR10032S
30	Z-12M30LT	41	44	90	33	65	RR10032S
31	Z-12M31LT	44	44	90	33	65	RR10032S
32	Z-12M32LT	48	44	90	33	65	RR10032S
33	Z-12M33LT	48	44	90	34	65	RR10032S
34	Z-12M34LT	49	44	90	34	65	RR10032S
35	Z-12M35LT	50	44	90	38	65	RR10032S
36	Z-12M36LT	52	44	90	38	65	RR10032S
37	Z-12M37LT	52	44	90	38	65	RR10032S
38	Z-12M38LT	52	44	90	44	65	RR10032S
39	Z-12M39LT	54	44	90	43	65	RR10032S
40	Z-12M40LT	54	44	90	43	65	RR10032S
41	Z-12M41LT	54	44	90	44	65	RR10032S
42	Z-12M42LT	57	44	90	43	65	RR10032S
43	Z-12M43LT	60	44	90	50	65	RR10032S
44	Z-12M44LT	60	44	90	43	65	RR10032S
45	Z-12M45LT	60	44	90	43	65	RR10032S
46	Z-12M46LT	63	44	90	51	65	RR10032S



ATP 3/4" SQUARE DRIVE

HEX DRIVER SOCKETS



Fractional Sizes

SIZE in	PART#	D2 in	L in	T in	RET RING
3/8	Z-1206V	1.496	2.637	1.130	10005S
7/16	Z-1207V	1.496	2.637	1.13	10005S
1/2	Z-1208V	1.496	2.637	1.130	10005S
9/16	Z-1209V	1.496	2.637	1.130	10005S
5/8	Z-1210V	1.496	2.637	1.130	10005S
3/4	Z-1212V	1.732	2.637	1.130	10032S
13/16	Z-1213V	1.732	2.795	1.295	10032S
7/8	Z-1214V	1.732	2.795	1.295	10032S
1	Z-1216V	1.732	2.795	1.295	10032S

Note: 2-piece construction

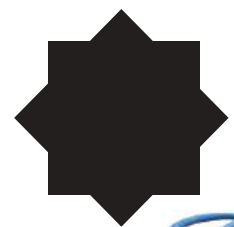
Metric Sizes

SIZE mm	PART#	D2 mm	L mm	T mm	RET RING
10	Z-12M10V	38	67	29	10005S
12	Z-12M12V	38	67	29	10005S
14	Z-12M14V	38	67	29	10005S
17	Z-12M17V	38	67	29	10005S
19	Z-12M19V	44	67	29	10032S
22	Z-12M22V	44	71	33	10032S
24	Z-12M24V	44	71	33	10032S

Note: 2-piece construction



DOUBLE SQUARE EIGHT POINT IMPACT SOCKETS



Standard Fractional Sizes

SIZE in	PART#	D1 in	D2 in	L in	T in	C in	RET RING
1-1/4	DS-1220	2.362	1.732	2.067	.669	1.087	RR10032S
1-5/16	DS-1221	2.480	1.732	2.067	.748	1.087	RR10032S
1-3/8	DS-1222	2.638	1.732	2.067	.748	1.087	RR10032S
1-7/16	DS-1223	2.638	1.732	2.223	.748	1.244	RR10032S
1-1/2	DS-1224	2.638	1.732	2.223	.866	1.244	RR10032S
1-9/16	DS-1225	3.071	2.126	2.223	.866	1.244	RR10010S
1-5/8	DS-1226	3.071	2.126	2.223	.866	1.244	RR10010S
1-11/16	DS-1227	3.228	2.126	2.418	.984	1.441	RR10010S
1-3/4	DS-1228	3.228	2.126	2.457	1.005	1.480	RR10010S
1-13/16	DS-1229	3.228	2.126	2.457	1.005	1.480	RR10010S
1-7/8	DS-1230	3.228	2.126	2.535	1.063	1.559	RR10010S

Deep Fractional Sizes

SIZE in	PART#	D1 in	D2 in	L in	T in	C in	RET RING
1-1/4	DS-1220L	2.362	1.732	3.159	.669	2.189	RR10032S
1-5/16	DS-1221L	2.480	1.732	3.159	.748	2.189	RR10032S
1-3/8	DS-1222L	2.638	1.732	3.159	.748	2.189	RR10032S
1-7/16	DS-1223L	2.638	1.732	3.159	.748	2.189	RR10032S
1-1/2	DS-1224L	2.638	1.732	3.159	.866	2.189	RR10032S
1-9/16	DS-1225L	3.071	2.126	3.159	.866	2.189	RR10010S
1-5/8	DS-1226L	3.071	2.126	3.159	.866	2.189	RR10010S
1-11/16	DS-1227L	3.228	2.126	3.159	.984	2.189	RR10010S
1-3/4	DS-1228L	3.228	2.126	3.159	1.005	2.189	RR10010S
1-13/16	DS-1229L	3.228	2.126	3.159	1.005	2.189	RR10010S
1-7/8	DS-1230L	3.228	2.126	3.159	1.063	2.189	RR10010S

ATP 3/4" SQUARE DRIVE

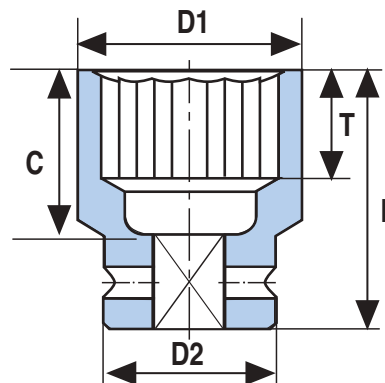
12 POINT IMPACT SOCKETS



12 Point Impact Socket Sizes



SIZE in	SIZE mm	PART#	D1 mm	D2 mm	L mm	T mm	Weight gr	RET RING
3/4	19	DH-1212M19	32	44	45	9.5	290	RR10032S
15/16		DH-1215	40	44	46	13.0	340	RR10032S
1		DH-1216	41	44	46	13.0	340	RR10032S
1-1/16	27	DH-1217M27	41	44	48	13.0	340	RR10032S
1-1/8		DH-1218	44	44	52	16.5	380	RR10032S
1-3/16	30	DH-1219M30	44	44	52	16.5	380	RR10032S
1-1/4		DH-1220	49	44	52	17.0	420	RR10032S
1-5/16		DH-1221	49	44	55	19.0	430	RR10032S
	33	DH-12M33	49	44	55	17.0	430	RR10032S
	34	DH-12M34	52	44	55	19.0	460	RR10032S
1-3/8	35	DH-1222M35	52	44	55	19.0	460	RR10032S
	36	DH-12M36	52	44	55	19.0	460	RR10032S
1-7/16		DH-1223	52	44	56	19.0	460	RR10032S
	37	DH-12M37	54	44	56	19.0	490	RR10032S
1-1/2	38	DH-1224M38	54	44	59	22.0	490	RR10032S
	39	DH-12M39	57	44	59	22.0	520	RR10032S
1-9/16		DH-1225	57	44	59	22.0	520	RR10032S
	40	DH-12M40	57	44	59	22.0	520	RR10032S
1-5/8	41	DH-1226M41	57	44	59	22.0	520	RR10032S
	42	DH-12M42	60	44	59	22.0	520	RR10032S
1-11/16	43	DH-1227M43	63	44	64	25.0	600	RR10032S
	44	DH-12M44	63	44	64	25.0	600	RR10032S
1-3/4		DH-1228	63	44	64	25.0	600	RR10032S
	45	DH-12M45	63	44	64	25.0	600	RR10032S
1-13/16	46	DH-1229M46	67	44	64	25.0	850	RR10032S
	47	DH-12M47	67	54	64	25.0	850	RR10010S
1-7/8		DH-1230	67	54	67	27.0	910	RR10010S
	48	DH-12M48	67	54	67	27.0	910	RR10010S
1-15/16	49	DH-1231M49	70	54	67	27.0	950	RR10010S
	50	DH-12M50	70	54	67	27.0	950	RR10010S
2	51	DH-1232M51	73	54	67	27.0	1040	RR10010S
	52	DH-12M52	73	54	70	27.0	1040	RR10010S
2-1/16		DH-1233	73	54	71	30.0	1040	RR10010S
2-1/8	54	DH-1234M54	73	54	71	30.0	1040	RR10010S
	55	DH-12M55	78	54	71	30.0	1200	RR10010S
2-3/16		DH-1235	78	54	74	32.0	1200	RR10010S
	56	DH-12M56	78	54	74	32.0	1200	RR10010S
2-1/4	57	DH-1236M57	82	54	75	33.0	1320	RR10010S
	58	DH-12M58	82	54	75	33.0	1320	RR10010S
2-5/16	59	DH-1237M59	82	54	75	33.0	1320	RR10010S
	60	DH-12M60	82	54	75	33.0	1320	RR10010S
2-3/8		DH-1238	82	54	75	35.0	1320	RR10010S
	61	DH-12M61	86	54	75	35.0	1430	RR10010S



ATP 3/4" SQUARE DRIVE

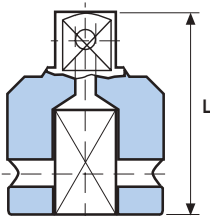
ACCESSORIES



Universal Joint



SIZE in	PART#	RET RING
3/4	U1212	RR10032S



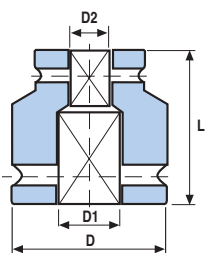
Adapters



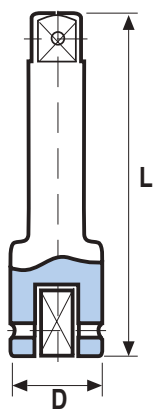
PART#	FEMALE in	MALE in	L in	RET RING
A1208	3/4	1/2	2.165	RR10032S
A1216	3/4	1	2.322	RR10032S



Double Ended Female Adapters



PART#	D1 in	D2 in	L in	D in	RET RINGS	
					(D1)	(D2)
AN1208	3/4	1/2	1.93	1.73	RR10032S	RR10005S
AN1212	3/4	3/4	1.93	1.73	RR10032S	RR10032S
AN1612	1	3/4	2.48	2.13	1RR0008S	RR10032S

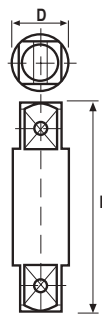


Extensions

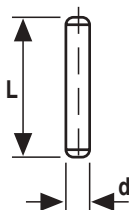
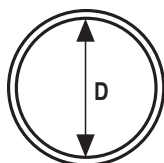
PART#	D in	L in	RET RING
E1203	1.732	3	RR10032S
E1204	1.732	4	RR10032S
E1205	1.732	5	RR10032S
E1207	1.732	7	RR10032S
E1213	1.732	13	RR10032S



Double Ended Male Extensions



PART#	D in	L in
Z1202	1	2
Z1203	1	3
Z1204	1	4
Z1205	1	5
Z1207	1	7
Z1210	1	10
Z1213	1	13
Z1215	1	15
Z1216	1	16



Retaining Pins and Rings

SQUARE DRIVE	SOCKET SIZES	PIN#	RING#	d in	L in	D in
3/4	Up To 1-13/16" (46mm)	P1244	R1244	.156	1.365	1.404
3/4	Above 1-13/16" (46mm)	P1254	R1254	.156	1.750	1.794

ATP RAILROAD SOCKETS



3/4" SQUARE DRIVE: DOUBLE SQUARE EIGHT POINT IMPACT SOCKETS



Standard Fractional Sizes

SIZE in	PART#	D1 in	D2 in	L in	T in	C in	RET RING
1-1/4	DS-1220	2.362	1.732	2.067	.669	1.087	RR10032S
1-5/16	DS-1221	2.480	1.732	2.067	.748	1.087	RR10032S
1-3/8	DS-1222	2.638	1.732	2.067	.748	1.087	RR10032S
1-7/16	DS-1223	2.638	1.732	2.223	.748	1.244	RR10032S
1-1/2	DS-1224	2.638	1.732	2.223	.866	1.244	RR10032S
1-9/16	DS-1225	3.071	2.126	2.223	.866	1.244	RR10010S
1-5/8	DS-1226	3.071	2.126	2.223	.866	1.244	RR10010S
1-11/16	DS-1227	3.228	2.126	2.418	.984	1.441	RR10010S
1-3/4	DS-1228	3.228	2.126	2.457	1.005	1.480	RR10010S
1-13/16	DS-1229	3.228	2.126	2.457	1.005	1.480	RR10010S
1-7/8	DS-1230	3.228	2.126	2.535	1.063	1.559	RR10010S

Deep Fractional Sizes

SIZE in	PART#	D1 in	D2 in	L in	T in	C in	RET RING
1-1/4	DS-1220L	2.362	1.732	3.159	.669	2.189	RR10032S
1-5/16	DS-1221L	2.480	1.732	3.159	.748	2.189	RR10032S
1-3/8	DS-1222L	2.638	1.732	3.159	.748	2.189	RR10032S
1-7/16	DS-1223L	2.638	1.732	3.159	.748	2.189	RR10032S
1-1/2	DS-1224L	2.638	1.732	3.159	.866	2.189	RR10032S
1-9/16	DS-1225L	3.071	2.126	3.159	.866	2.189	RR10010S
1-5/8	DS-1226L	3.071	2.126	3.159	.866	2.189	RR10010S
1-11/16	DS-1227L	3.228	2.126	3.159	.984	2.189	RR10010S
1-3/4	DS-1228L	3.228	2.126	3.159	1.005	2.189	RR10010S
1-13/16	DS-1229L	3.228	2.126	3.159	1.005	2.189	RR10010S
1-7/8	DS-1230L	3.228	2.126	3.159	1.063	2.189	RR10010S



1" SQUARE DRIVE: DOUBLE SQUARE EIGHT POINT IMPACT SOCKETS



Standard Fractional Sizes

SIZE in	PART#	D1 in	D2 in	L in	T in	C in	RET RING
1-5/16	DS-1621	2.480	2.126	2.262	.748	1.283	RR10010S
1-3/8	DS-1622	2.638	2.362	2.262	.748	1.283	RR10015S
1-7/16	DS-1623	2.638	2.362	2.262	.748	1.283	RR10015S
1-1/2	DS-1624	2.756	2.362	2.418	.866	1.441	RR10015S
1-9/16	DS-1625	3.071	2.362	2.418	.866	1.441	RR10015S
1-5/8	DS-1626	3.071	2.362	2.418	.866	1.441	RR10015S
1-11/16	DS-1627	3.228	2.362	2.613	.984	1.638	RR10015S
1-3/4	DS-1628	3.228	2.362	2.613	1.005	1.638	RR10015S
1-13/16	DS-1629	3.386	2.362	2.613	1.005	1.638	RR10015S
1-7/8	DS-1630	3.386	2.362	2.730	1.063	1.756	RR10015S
2	DS-1632	3.622	2.362	2.730	1.063	1.756	RR10015S
2-1/8	DS-1634	3.937	2.362	2.925	1.181	1.953	RR10015S
2-3/16	DS-1635	3.937	2.362	3.042	1.260	2.071	RR10015S
2-1/4	DS-1636	3.937	2.362	3.042	1.260	2.071	RR10015S
2-3/8	DS-1638	4.134	2.362	3.198	1.378	2.228	RR10015S
2-1/2	DS-1640	4.291	2.362	3.432	1.378	2.465	RR10015S

Deep Fractional Sizes

SIZE in	PART#	D1 in	D2 in	L in	T in	C in	RET RING
1-5/16	DS-1621L	2.480	2.126	3.159	.748	2.189	RR10010S
1-3/8	DS-1622L	2.638	2.362	3.159	.748	2.189	RR10015S
1-7/16	DS-1623L	2.638	2.362	3.159	.748	2.189	RR10015S
1-1/2	DS-1624L	2.756	2.362	3.393	.866	2.322	RR10015S
1-9/16	DS-1625L	3.071	2.362	3.432	.866	2.322	RR10015S
1-5/8	DS-1626L	3.071	2.362	3.432	.866	2.322	RR10015S
1-11/16	DS-1627L	3.228	2.362	3.432	.984	2.322	RR10015S
1-3/4	DS-1628L	3.228	2.362	3.432	1.005	2.322	RR10015S
1-13/16	DS-1629L	3.386	2.362	3.432	1.005	2.322	RR10015S
1-7/8	DS-1630L	3.386	2.362	3.432	1.063	2.322	RR10015S
2	DS-1632L	3.622	2.362	3.432	1.063	2.322	RR10015S
2-1/8	DS-1634L	3.937	2.362	3.783	1.181	2.819	RR10015S
2-3/16	DS-1635L	3.937	2.362	3.783	1.260	2.819	RR10015S
2-1/4	DS-1636L	3.937	2.362	3.900	1.260	2.937	RR10015S
2-3/8	DS-1638L	4.134	2.362	3.900	1.378	2.937	RR10015S
2-1/2	DS-1640L	4.291	2.362	3.900	1.378	2.937	RR10015S

SPECIAL RAILROAD SOCKETS

PART#	DESCRIPTION	RET RING
Z-161418RTL	7/8 X 1-1/8 Rectangle X 1 sq.	RR10008S
Z-16T70	70mm X 1 sq. Torx Bit Socket	RR10008S
N7167A	Domed Head Socket w/Pins, 1" sq. drive	RR10015S

Part#	Description	Size	Length
AN2424	Double ended female adaptor	1-1/2" x 1-1/2" sq.	3.35"
Z2410	Double ended male adaptor	1-1/2" x 1-1/2" sq.	10"

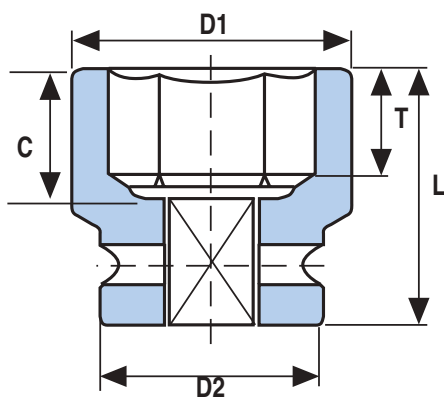
Part#	Female	Male Taper	Length
HEX-3	1-1/2" sq.	3/4" sq. to 1-7/8" sq	10"
HEX-3-10	1-1/2" sq.	3/4" sq. to 1-7/8" sq.	20"
HEX-12	2-1/2" sq.	3/4" sq. to 1-7/8" sq	12"

ATP 1" SQUARE DRIVE

SIX POINT IMPACT SOCKETS



ATP maintains "in stock" one of the broadest ranges of 1" drive sockets available to industry. ATP 1" drive sizes are equally well suited for construction, maintenance, and heavy assembly applications, as well as for precision bolting with hydraulic bolting equipment.



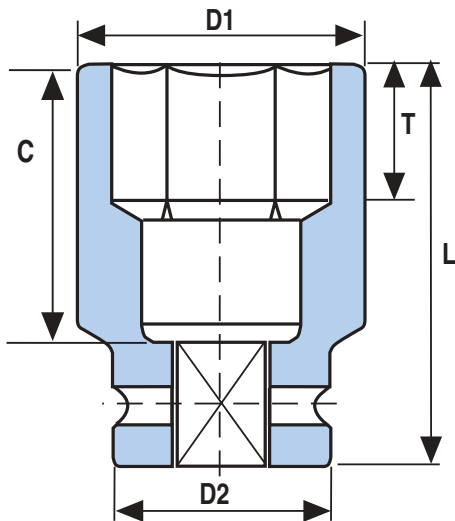
Standard Fractional Sizes

SIZE in	PART#	D1 in	D2 in	L in	T in	C in	RET RING
3/4	Z-1612	1.417	2.126	2.145	.374	1.040	RR10010S
13/16	Z-1613	1.496	2.126	2.145	.433	1.040	RR10010S
7/8	Z-1614	1.575	2.126	2.145	.551	1.040	RR10010S
15/16	Z-1615	1.614	2.126	2.145	.551	1.040	RR10010S
1	Z-1616	1.693	2.126	2.145	.551	1.119	RR10010S
1-1/16	Z-1617	1.811	2.126	2.145	.551	1.119	RR10010S
1-1/8	Z-1618	1.890	2.126	2.223	.650	1.119	RR10010S
1-3/16	Z-1619	1.969	2.126	2.223	.650	1.119	RR10010S
1-1/4	Z-1620	2.008	2.126	2.223	.669	1.119	RR10010S
1-5/16	Z-1621	2.126	2.126	2.340	.748	1.198	RR10010S
1-3/8	Z-1622	2.126	2.126	2.340	.748	1.198	RR10010S
1-7/16	Z-1623	2.126	2.126	2.340	.748	1.198	RR10010S
1-1/2	Z-1624	2.362	2.126	2.496	.866	1.316	RR10010S
1-9/16	Z-1625	2.362	2.126	2.496	.866	1.316	RR10010S
1-5/8	Z-1626	2.480	2.126	2.496	.866	1.316	RR10010S
1-11/16	Z-1627	2.638	2.126	2.691	.984	1.513	RR10010S
1-3/4	Z-1628	2.756	2.126	2.691	1.004	1.592	RR10010S
1-13/16	Z-1629	2.756	2.126	2.691	1.004	1.592	RR10010S
1-7/8	Z-1630	2.756	2.126	2.808	1.062	1.631	RR10010S
1-15/16	Z-1631	2.874	2.126	2.808	1.062	1.631	RR10010S
2	Z-1632	2.874	2.126	2.808	1.062	1.631	RR10010S
2-1/16	Z-1633	3.071	2.126	2.964	1.181	1.828	RR10010S
2-1/8	Z-1634	3.228	2.126	2.964	1.181	1.828	RR10010S
2-3/16	Z-1635	3.228	2.126	3.120	1.259	1.946	RR10010S
2-1/4	Z-1636	3.228	2.126	3.120	1.299	1.946	RR10010S
2-5/16	Z-1637	3.386	2.126	3.198	1.299	2.025	RR10010S
2-3/8	Z-1638	3.386	2.126	3.315	1.378	2.418	RR10010S
2-7/16	Z-1639	3.622	2.126	3.315	1.378	2.418	RR10010S
2-1/2	Z-1640	3.622	2.126	3.315	1.378	2.418	RR10010S
2-9/16	Z-1641	3.622	2.126	3.315	1.378	2.458	RR10010S
2-5/8	Z-1642	3.622	2.126	3.432	1.496	2.536	RR10010S
2-11/16	Z-1643	3.780	2.126	3.432	1.496	2.576	RR10010S
2-3/4	Z-1644	3.780	2.126	3.432	1.496	2.615	RR10010S
2-13/16	Z-1645	3.937	3.386	3.588	1.575	2.615	RR10021S
2-7/8	Z-1646	3.937	3.386	3.588	1.614	2.615	RR10021S
2-15/16	Z-1647	3.937	3.386	3.588	1.614	2.615	RR10021S
3	Z-1648	4.134	3.386	3.783	1.732	2.655	RR10021S
3-1/16	Z-1649	4.134	3.386	3.783	1.732	2.655	RR10021S
3-1/8	Z-1650	4.134	3.386	3.783	1.732	2.655	RR10021S
3-3/16	Z-1651	4.291	3.386	3.900	1.850	2.812	RR10021S
3-1/4	Z-1652	4.291	3.386	3.900	1.850	2.812	RR10021S
3-5/16	Z-1653	4.291	3.386	3.900	1.850	2.812	RR10021S
3-3/8	Z-1654	4.291	3.386	4.056	1.929	2.930	RR10021S
3-7/16	Z-1655	4.764	3.386	4.056	1.929	2.930	RR10021S
3-1/2	Z-1656	4.764	3.386	4.056	1.929	2.930	RR10021S
3-9/16	Z-1657	5.000	3.386	4.056	1.890	2.930	RR10021S
3-5/8	Z-1658	5.118	3.386	4.056	1.929	2.930	RR10021S
3-11/16	Z-1659	5.118	3.386	4.056	1.929	2.930	RR10021S
3-3/4	Z-1660	5.315	3.386	4.134	1.929	3.245	RR10021S
3-13/16	Z-1661	5.315	3.386	4.368	2.125	3.245	RR10021S
3-7/8	Z-1662	5.315	3.386	4.368	2.125	3.245	RR10021S
3-15/16	Z-1663	5.315	3.386	4.368	2.125	3.245	RR10021S
4	Z-1664	5.512	5.000	4.368	2.125	3.245	*
4-1/16	Z-1665	4.512	5.000	4.368	2.125	3.245	*
4-1/8	Z-1666	5.709	5.000	4.368	2.125	3.245	*
4-3/16	Z-1667	5.709	5.000	4.758	2.441	3.245	*
4-1/4	Z-1668	5.709	5.000	4.758	2.441	3.599	*
4-5/16	Z-1669	5.906	5.000	4.758	2.441	3.599	*
4-3/8	Z-1670	5.906	5.000	4.758	2.441	3.599	*
4-7/16	Z-1671	6.102	5.000	4.758	2.441	3.599	*
4-1/2	Z-1672	6.102	5.000	4.758	2.441	3.599	*

* Requires retaining pin and ring, Pin = P16127, Ring = RR16127

ATP 1" SQUARE DRIVE

SIX POINT IMPACT SOCKETS



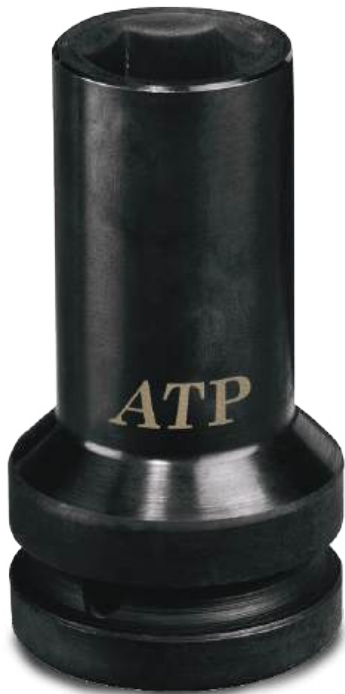
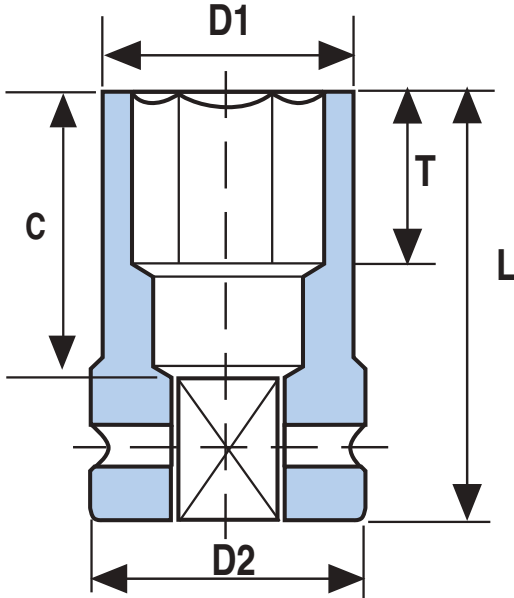
Deep Fractional Sizes

SIZE in	PART#	D1 in	D2 in	L in	T in	C in	RET RING
3/4	Z-1612L	1.417	2.126	3.900	0.374	2.812	RR10010S
13/16	Z-1613L	1.496	2.126	3.900	0.433	2.812	RR10010S
7/8	Z-1614L	1.575	2.126	3.900	0.551	2.812	RR10010S
15/16	Z-1615L	1.614	2.126	3.900	0.551	2.812	RR10010S
1	Z-1616L	1.693	2.126	3.900	0.551	2.812	RR10010S
1-1/16	Z-1617L	1.811	2.126	3.900	0.551	2.812	RR10010S
1-1/8	Z-1618L	1.890	2.126	3.900	0.650	2.812	RR10010S
1-3/16	Z-1619L	1.969	2.126	3.900	0.650	2.812	RR10010S
1-1/4	Z-1620L	2.008	2.126	3.900	0.669	2.812	RR10010S
1-5/16	Z-1621L	2.126	2.126	3.900	0.748	2.812	RR10010S
1-3/8	Z-1622L	2.126	2.126	3.900	0.748	2.812	RR10010S
1-7/16	Z-1623L	2.126	2.126	3.900	0.748	2.812	RR10010S
1-1/2	Z-1624L	2.362	2.126	3.900	0.866	2.812	RR10010S
1-9/16	Z-1625L	2.362	2.126	3.900	0.866	2.812	RR10010S
1-5/8	Z-1626L	2.480	2.126	3.900	0.866	2.812	RR10010S
1-11/16	Z-1627L	2.638	2.126	3.900	0.984	2.812	RR10010S
1-3/4	Z-1628L	2.756	2.126	3.900	1.004	2.812	RR10010S
1-13/16	Z-1629L	2.756	2.126	3.900	1.004	2.812	RR10010S
1-7/8	Z-1630L	2.756	2.126	3.900	1.062	2.812	RR10010S
1-15/16	Z-1631L	2.874	2.126	3.900	1.062	2.812	RR10010S
2	Z-1632L	2.874	2.126	3.900	1.062	2.812	RR10010S
2-1/16	Z-1633L	3.071	2.126	3.900	1.181	2.969	RR10010S
2-1/8	Z-1634L	3.228	2.126	4.056	1.181	2.969	RR10010S
2-3/16	Z-1635L	3.228	2.126	4.095	1.259	3.088	RR10010S
2-1/4	Z-1636L	3.228	2.126	4.095	1.299	3.088	RR10010S
2-5/16	Z-1637L	3.386	2.126	4.368	1.299	3.166	RR10010S
2-3/8	Z-1638L	3.386	2.126	4.368	1.378	3.560	RR10010S
2-7/16	Z-1639L	3.622	2.126	4.602	1.378	3.560	RR10010S
2-1/2	Z-1640L	3.622	2.126	4.602	1.378	3.560	RR10010S
2-9/16	Z-1641L	3.622	2.126	4.602	1.378	3.599	RR10010S
2-5/8	Z-1642L	3.622	2.126	4.602	1.496	3.678	RR10010S
2-11/16	Z-1643L	3.780	2.126	4.836	1.496	3.718	RR10010S
2-3/4	Z-1644L	3.780	2.126	4.836	1.496	3.757	RR10010S
2-13/16	Z-1645L	3.937	3.386	4.836	1.575	3.757	RR10021S
2-7/8	Z-1646L	3.937	3.386	4.836	1.614	3.757	RR10021S
2-15/16	Z-1647L	3.937	3.386	4.836	1.614	3.757	RR10021S
3	Z-1648L	4.134	3.386	5.07	1.732	3.796	RR10021S
3-1/16	Z-1649L	4.134	3.386	5.07	1.732	3.796	RR10021S
3-1/8	Z-1650L	4.134	3.386	5.148	1.732	3.796	RR10021S
3-3/16	Z-1651L	4.291	3.386	5.148	1.850	3.954	RR10021S
3-1/4	Z-1652L	4.291	3.386	5.148	1.850	3.954	RR10021S
3-5/16	Z-1653L	4.291	3.386	5.148	1.850	3.954	RR10021S
3-3/8	Z-1654L	4.291	3.386	5.460	1.929	4.072	RR10021S
3-7/16	Z-1655L	4.764	3.386	5.460	1.929	4.072	RR10021S
3-1/2	Z-1656L	4.764	3.386	5.460	1.929	4.072	RR10021S
3-9/16	Z-1657L	5.000	3.386	5.460	1.890	4.072	RR10021S
3-5/8	Z-1658L	5.118	3.386	5.460	1.929	4.072	RR10021S
3-11/16	Z-1659L	5.118	3.386	5.460	1.929	4.072	RR10021S
3-3/4	Z-1660L	5.315	3.386	5.460	1.929	4.387	RR10021S
3-13/16	Z-1661L	5.315	3.386	5.577	2.125	4.387	RR10021S
3-7/8	Z-1662L	5.315	3.386	5.577	2.125	4.387	RR10021S
3-15/16	Z-1663L	5.315	3.386	5.577	2.125	4.387	RR10021S
4	Z-1664L	5.512	5.000	5.577	2.125	4.387	*
4-1/16	Z-1665L	4.512	5.000	5.577	2.125	4.387	*
4-1/8	Z-1666L	5.709	5.000	5.577	2.125	4.387	*
4-3/16	Z-1667L	5.709	5.000	5.811	2.441	4.387	*
4-1/4	Z-1668L	5.709	5.000	5.811	2.441	4.741	*
4-5/16	Z-1669L	5.906	5.000	5.811	2.441	4.741	*
4-3/8	Z-1670L	5.906	5.000	5.811	2.441	4.741	*
4-7/16	Z-1671L	6.102	5.000	5.811	2.441	4.741	*
4-1/2	Z-1672L	6.102	5.000	5.811	2.441	4.741	*

* Requires retaining pin and ring, Pin = P16127, Ring = R16127

ATP 1" SQUARE DRIVE

SIX POINT IMPACT SOCKETS



Deep Fractional Thinwall Sizes

SIZE in	PART#	D1 in	D2 in	L in	T in	C in	RET RING
7/8	Z-1614LT	1.496	2.126	3.937	.500	2.812	RR10010S
15/16	Z-1615LT	1.496	2.126	3.937	.500	2.812	RR10010S
1	Z-1616LT	1.614	2.126	3.937	.500	2.812	RR10010S
1-1/16	Z-1617LT	1.732	2.126	3.937	.500	2.812	RR10010S
1-1/8	Z-1618LT	1.732	2.126	3.937	.500	2.812	RR10010S
1-3/16	Z-1619LT	1.929	2.126	3.937	1.299	2.812	RR10010S
1-1/4	Z-1620LT	1.929	2.126	3.937	1.339	2.812	RR10010S
1-5/16	Z-1621LT	2.047	2.126	3.937	1.496	2.812	RR10010S
1-3/8	Z-1622LT	2.047	2.126	3.937	1.496	2.812	RR10010S
1-7/16	Z-1623LT	2.126	2.126	3.937	1.496	2.812	RR10010S
1-1/2	Z-1624LT	2.224	2.126	3.937	1.732	2.812	RR10010S
1-9/16	Z-1625LT	2.244	2.126	3.937	1.732	2.812	RR10010S
1-5/8	Z-1626LT	2.362	2.126	3.937	1.732	2.812	RR10010S
1-11/16	Z-1627LT	2.480	2.126	3.937	1.968	2.812	RR10010S
1-3/4	Z-1628LT	2.638	2.126	3.937	2.008	2.812	RR10010S
1-13/16	Z-1629LT	2.638	2.126	3.937	2.008	2.812	RR10010S

Deep Metric Thinwall Sizes

SIZE mm	PART#	D1 mm	D2 mm	L mm	T mm	C mm	RET RING
22	Z-16M22LT	38	54	100	20	71	RR10010S
23	Z-16M23LT	38	54	100	24	71	RR10010S
24	Z-16M24LT	38	54	100	24	71	RR10010S
25	Z-16M25LT	41	54	100	26	71	RR10010S
26	Z-16M26LT	44	54	100	26	71	RR10010S
27	Z-16M27LT	44	54	100	26	71	RR10010S
28	Z-16M28LT	44	54	100	28	71	RR10010S
29	Z-16M29LT	44	54	100	28	71	RR10010S
30	Z-16M30LT	49	54	100	33	71	RR10010S
31	Z-16M31LT	49	54	100	33	71	RR10010S
32	Z-16M32LT	49	54	100	33	71	RR10010S
33	Z-16M33LT	52	54	100	34	71	RR10010S
34	Z-16M34LT	52	54	100	34	71	RR10010S
35	Z-16M35LT	52	54	100	38	71	RR10010S
36	Z-16M36LT	54	54	100	38	71	RR10010S
37	Z-16M37LT	54	54	100	38	71	RR10010S
38	Z-16M38LT	54	54	100	43	71	RR10010S
39	Z-16M39LT	54	54	100	43	71	RR10010S
40	Z-16M40LT	54	54	100	43	71	RR10010S
41	Z-16M41LT	54	54	100	44	71	RR10010S
42	Z-16M42LT	54	54	100	44	71	RR10010S
43	Z-16M43LT	54	54	100	50	71	RR10010S
44	Z-16M44LT	54	54	100	50	71	RR10010S
45	Z-16M45LT	54	54	100	51	71	RR10010S
46	Z-16M46LT	54	54	100	51	71	RR10010S

See page 78 for information on "special" sockets. ATP routinely manufactures extra deep, extra heavy, spark resistant, special shape, or special drive type sockets.

ATP 1" SQUARE DRIVE



SIX POINT IMPACT SOCKETS

Standard Metric Sizes



SIZE mm	PART#	D1 mm	D2 mm	L mm	T mm	C mm	RET RING
19	Z-16M19	36	54	55	9.5	26	RR10010S
20	Z-16M20	37	54	55	10	26	RR10010S
21	Z-16M21	38	54	55	10	26	RR10010S
22	Z-16M22	40	54	55	10	26	RR10010S
23	Z-16M23	41	54	55	12	26	RR10010S
24	Z-16M24	42	54	55	12	26	RR10010S
25	Z-16M25	43	54	55	13	26	RR10010S
26	Z-16M26	45	54	55	13	26	RR10010S
27	Z-16M27	46	54	55	13	26	RR10010S
28	Z-16M28	47	54	55	14	26	RR10010S
29	Z-16M29	48	54	57	14	28	RR10010S
30	Z-16M30	50	54	57	16.5	28	RR10010S
31	Z-16M31	51	54	57	16.5	28	RR10010S
32	Z-16M32	51	54	57	16.5	28	RR10010S
33	Z-16M33	54	54	57	17	28	RR10010S
34	Z-16M34	54	54	60	19	31	RR10010S
35	Z-16M35	54	54	60	19	31	RR10010S
36	Z-16M36	54	54	60	19	31	RR10010S
37	Z-16M37	57	54	60	19	31	RR10010S
38	Z-16M38	60	54	64	22	35	RR10010S
39	Z-16M39	60	54	64	21.5	35	RR10010S
40	Z-16M40	63	54	64	21.5	35	RR10010S
41	Z-16M41	63	54	64	22	35	RR10010S
42	Z-16M42	63	54	64	21.5	35	RR10010S
43	Z-16M43	67	54	69	25	40	RR10010S
44	Z-16M44	67	54	69	21.5	40	RR10010S
45	Z-16M45	70	54	69	21.5	40	RR10010S
46	Z-16M46	70	54	69	25.5	40	RR10010S
47	Z-16M47	70	54	69	23.5	40	RR10010S
48	Z-16M48	73	54	72	23.5	43	RR10010S
49	Z-16M49	73	54	72	27	43	RR10010S
50	Z-16M50	73	54	72	23.5	43	RR10010S
51	Z-16M51	73	54	72	27	43	RR10010S
52	Z-16M52	78	54	72	27	43	RR10010S
54	Z-16M54	82	54	76	30	47	RR10010S
55	Z-16M55	82	54	76	27	47	RR10010S
56	Z-16M56	82	54	75	28	46	RR10010S
57	Z-16M57	82	54	80	33	51	RR10010S
58	Z-16M58	86	54	75	28	46	RR10010S
59	Z-16M59	86	54	82	33	53	RR10010S
60	Z-16M60	86	54	75	28	46	RR10010S
61	Z-16M61	88	54	85	28	56	RR10010S
62	Z-16M62	92	54	85	35	56	RR10010S
65	Z-16M65	92	54	85	35	56	RR10010S
67	Z-16M67	92	54	88	38	62	RR10010S
70	Z-16M70	96	54	88	38	79	RR10010S
73	Z-16M73	100	86	92	41	83	RR10021S
75	Z-16M75	100	86	92	41	83	RR10021S
76	Z-16M76	105	86	97	44	68	RR10021S
80	Z-16M80	105	86	97	37	59	RR10021S
85	Z-16M85	115	86	100	40	63	RR10021S
86	Z-16M86	115	86	104	49	75	RR10021S
90	Z-16M90	127	86	104	43	68	RR10021S
95	Z-16M95	135	86	106	49	77	RR10021S
100	Z-16M100	135	86	112	54	83	RR10021S
105	Z-16M105	145	127	112	54	83	*
110	Z-16M110	150	127	122	62	93	*
115	Z-16M115	155	127	122	57	91	*

Deep Metric Sizes



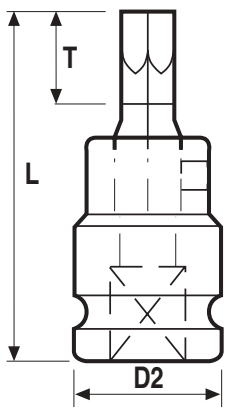
SIZE mm	PART#	D1 mm	D2 mm	L mm	T mm	C mm	RET RING
19	Z-16M19L	36	54	100	9.5	71	RR10010S
20	Z-16M20L	37	54	100	10	71	RR10010S
21	Z-16M21L	38	54	100	10	71	RR10010S
22	Z-16M22L	40	54	100	10	71	RR10010S
23	Z-16M23L	41	54	100	12	71	RR10010S
24	Z-16M24L	42	54	100	12	71	RR10010S
25	Z-16M25L	43	54	100	13	71	RR10010S
26	Z-16M26L	45	54	100	13	71	RR10010S
27	Z-16M27L	46	54	100	13	71	RR10010S
28	Z-16M28L	47	54	100	14	71	RR10010S
29	Z-16M29L	48	54	100	14	71	RR10010S
30	Z-16M30L	50	54	100	16.5	71	RR10010S
31	Z-16M31L	51	54	100	16.5	71	RR10010S
32	Z-16M32L	51	54	100	16.5	71	RR10010S
33	Z-16M33L	54	54	100	17	71	RR10010S
34	Z-16M34L	54	54	100	19	71	RR10010S
35	Z-16M35L	54	54	100	19	71	RR10010S
36	Z-16M36L	54	54	100	19	71	RR10010S
37	Z-16M37L	57	54	100	19	71	RR10010S
38	Z-16M38L	60	54	100	22	71	RR10010S
39	Z-16M39L	60	54	100	21.5	71	RR10010S
40	Z-16M40L	63	54	100	21.5	71	RR10010S
41	Z-16M41L	63	54	100	22	71	RR10010S
42	Z-16M42L	63	54	100	21.5	71	RR10010S
43	Z-16M43L	67	54	100	25	71	RR10010S
44	Z-16M44L	67	54	100	21.5	71	RR10010S
45	Z-16M45L	70	54	100	21.5	71	RR10010S
46	Z-16M46L	70	54	100	25.5	71	RR10010S
47	Z-16M47L	70	54	100	23.5	71	RR10010S
48	Z-16M48L	73	54	100	23.5	71	RR10010S
49	Z-16M49L	73	54	100	27	71	RR10010S
50	Z-16M50L	73	54	100	23.5	71	RR10010S
51	Z-16M51L	73	54	100	27	71	RR10010S
52	Z-16M52L	78	54	100	27	71	RR10010S
54	Z-16M54L	82	54	104	30	75	RR10010S
55	Z-16M55L	82	54	104	27	75	RR10010S
56	Z-16M56L	82	54	105	28	76	RR10010S
57	Z-16M57L	82	54	105	33	76	RR10010S
58	Z-16M58L	86	54	105	28	76	RR10010S
59	Z-16M59L	86	54	112	33	83	RR10010S
60	Z-16M60L	86	54	105	28	83	RR10010S
61	Z-16M61L	88	54	112	28	83	RR10010S
62	Z-16M62L	92	54	118	35	89	RR10010S
65	Z-16M65L	92	54	118	35	89	RR10010S
67	Z-16M67L	92	54	118	38	89	RR10010S
70	Z-16M70L	96	54	124	38	95	RR10010S
73	Z-16M73L	100	86	124	41	95	RR10021S
75	Z-16M75L	100	86	124	41	95	RR10021S
76	Z-16M76L	105	86	130	44	101	RR10021S
80	Z-16M80L	105	86	132	37	103	RR10021S
85	Z-16M85L	115	86	132	40	103	RR10021S
86	Z-16M86L	115	86	140	49	111	RR10021S
90	Z-16M90L	127	86	140	43	111	RR10021S
95	Z-16M95L	135	86	140	49	111	RR10021S
100	Z-16M100L	135	86	143	54	114	RR10021S
105	Z-16M105L	145	127	143	54	114	*
110	Z-16M110L	150	127	149	62	120	*
115	Z-16M115L	155	127	149	57	120	*

* Requires retaining pin and ring, Pin = P16127, Ring = RR16127

* Requires retaining pin and ring, Pin = P16127, Ring = RR16127

ATP 1" SQUARE DRIVE

HEX DRIVER SOCKETS



Fractional Sizes

SIZE in	PART#	D2 in	L in	T in	RET RING
1/2	Z-1608V	2.126	2.91	1.16	10010S
9/16	Z-1609V	2.126	2.91	1.16	10010S
5/8	Z-1610V	2.126	2.91	1.16	10010S
3/4	Z-1612V	2.126	2.91	1.16	10010S
13/16	Z-1613V	2.126	3.07	1.32	10010S
7/8	Z-1614V	2.126	3.07	1.32	10010S
1	Z-1616V	2.126	3.07	1.32	10010S
1-1/16	Z-1617V	2.126	3.23	1.48	10010S
1-1/8	Z-1618V	2.126	3.23	1.48	10010S
1-3/16	Z-1619V	2.126	3.23	1.48	10010S
1-1/4	Z-1620V	2.126	3.43	1.68	10010S

Note: 2-piece construction

Metric Sizes

SIZE mm	PART#	D2 mm	L mm	T mm	RET RING
10	Z-16M10V	54	74	16	10010S
12	Z-16M12V	54	74	21	10010S
14	Z-16M14V	54	74	21	10010S
17	Z-16M17V	54	74	26	10010S
19	Z-16M19V	54	89	26	10010S
22	Z-16M22V	54	89	26	10010S
24	Z-16M24V	54	89	26	10010S
27	Z-16M27V	54	111	32	10010S
30	Z-16M30V	54	117	38	10010S
32	Z-16M32V	54	117	38	10010S

Note: 2-piece construction

ATP 1" SQUARE DRIVE



12 POINT IMPACT SOCKETS

Standard Socket Sizes

SIZE in	SIZE mm	PART#	D1 mm	D2 mm	L mm	T mm	Weight gr	RET RING
3/4	19	DH-1612DM19	36	54	55	9.5	600	RR10010S
13/16		DH-1613	38	54	55	11.0	600	RR10010S
7/8		DH-1614	40	54	55	13.0	600	RR10010S
15/16		DH-1615	41	54	55	13.0	600	RR10010S
1		DH-1616	43	54	55	13.0	600	RR10010S
1-1/16	27	DH-1617M27	46	54	55	13.0	600	RR10010S
1-1/8		DH-1618	48	54	57	16.5	630	RR10010S
1-3/16	30	DH-1619M30	50	54	57	16.5	630	RR10010S
1-1/4		DH-1620	51	54	57	17.0	630	RR10010S
1-5/16		DH-1621	54	54	60	19.0	650	RR10010S
1-3/8	35	DH-1622M35	54	54	60	19.0	650	RR10010S
1-7/16		DH-1623	54	54	60	19.0	650	RR10010S
1-1/2	38	DH-1624M38	60	54	64	22.0	760	RR10010S
1-9/16		DH-1625	60	54	64	22.0	760	RR10010S
1-5/8	41	DH-1626M41	63	54	64	22.0	800	RR10010S
1-11/16	43	DH-1627M43	67	54	69	25.0	950	RR10010S
1-3/4		DH-1628	70	54	69	25.5	1000	RR10010S
1-13/16	46	DH-1629M46	70	54	69	25.5	1000	RR10010S
1-7/8		DH-1630	70	54	72	27.0	1000	RR10010S
1-15/16	49	DH-1631M49	73	54	72	27.0	1080	RR10010S
2	51	DH-1632M51	73	54	72	27.0	2080	RR10010S
2-1/16		DH-1633	78	54	76	30.0	1240	RR10010S
2-1/8	54	DH-1634M54	82	54	76	30.0	1400	RR10010S
2-3/16		DH-1635	82	54	80	32.0	1400	RR10010S
2-1/4	57	DH-1636M57	82	54	80	33.0	1400	RR10010S
2-5/16	59	DH-1637M59	86	54	82	33.0	1500	RR10010S
2-3/8		DH-1638	86	54	85	35.0	1500	RR10010S
2-7/16	62	DH-1639M62	92	54	85	35.0	1800	RR10010S
2-1/2		DH-1640	92	54	85	35.0	1800	RR10010S
2-9/16	65	DH-1641M65	92	54	85	25.0	1800	RR10010S
2-5/8	67	DH-1642M67	92	54	88	38.0	1800	RR10010S
2-11/16		DH-1643	96	54	88	38.0	1800	RR10010S
2-3/4	70	DH-1644M70	96	54	88	38.0	1800	RR10010S
2-13/16		DH-1645	100	86	92	40.0	2700	RR10021S
2-7/8	73	DH-1646M73	100	86	92	41.0	2700	RR10021S
2-15/16	75	DH-1647M75	100	86	92	41.0	2700	RR10021S
3	76	DH-1648M76	105	86	97	44.0	3200	RR10021S

Standard Socket Sizes Cont.

SIZE in	SIZE mm	PART#	D1 mm	D2 mm	L mm	T mm	Weight gr	RET RING
3-1/16		DH-1649	105	86	97	44.0	3200	RR10021S
3-1/8		DH-1650	105	86	97	44.0	3200	RR10021S
3-3/16		DH-1651	109	86	100	47.0	3200	RR10021S
3-1/4		DH-1652	109	86	100	47.0	3200	RR10021S
3-5/16		DH-1653	109	86	100	47.0	3200	RR10021S
3-3/8	86	DH-1654M86	115	86	104	49.0	3500	RR10021S
3-7/16		DH-1655	121	86	104	49.0	4120	RR10021S
3-1/2		DH-1656	121	86	104	49.0	4120	RR10021S
3-9/16		DH-1657	127	86	104	49.5	4400	RR10021S
3-5/8		DH-1658	130	86	104	49.0	4700	RR10021S
3-11/16		DH-1659	130	86	104	49.0	4700	RR10021S
3-3/4	95	DH-1660M95	135	86	106	49.0	5200	RR10021S
3-13/16		DH-1661	135	86	112	54.0	5200	RR10021S
3-7/8		DH-1662	135	86	112	54.0	5200	RR10021S
3-15/16	100	DH-1663M100	135	86	112	54.0	5200	RR10021S
4		DH-1664	140	127	112	54.0	5500	*
4-1/16		DH-1665	140	127	112	54.0	5500	*
4-1/8	105	DH-1666M105	145	127	112	54.0	7700	*
4-3/16		DH-1667	145	127	122	62.0	8100	*
4-1/4		DH-1668	145	127	122	62.0	8100	*
4-5/16	110	DH-1669M110	150	127	122	62.0	8200	*
4-3/8		DH-1670	150	127	122	62.0	8200	*
4-7/16		DH-1671	150	127	122	62.0	9060	*
4-1/2		DH-1672	150	127	122	62.0	9060	*

* Requires retaining pin and ring, Pin = P16127, Ring = R16127

Deep Fractional Sizes

SIZE in	PART#	D1 in	D2 in	L in	T in	C in	RET RING
2	DH-11632L	2.874	2.126	3.900	1.062	2.812	RR10010S
2-3/16	DH-1635L	3.228	2.126	4.095	1.259	3.088	RR10010S
2-3/8	DH-1638L	3.386	2.126	4.368	1.378	3.560	RR10010S
2-9/16	DH-1641L	3.622	2.126	4.602	1.378	3.599	RR10010S
2-3/4	DH-1644L	3.780	2.126	4.836	1.496	3.757	RR10010S
2-15/16	DH-1647L	3.937	3.386	4.836	1.614	3.757	RR10021S
3-1/8	DH-1650L	4.291	3.386	5.460	1.929	4.072	RR10021S

DOUBLE SQUARE EIGHT POINT SOCKETS

Standard Fractional Sizes

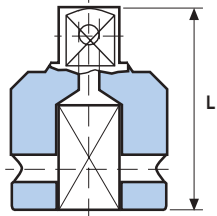
SIZE in	PART#	D1 in	D2 in	L in	T in	C in	RET RING
1-5/16	DS-1621	2.480	2.126	2.262	.748	1.283	RR10010S
1-3/8	DS-1622	2.638	2.362	2.262	.748	1.283	RR10015S
1-7/16	DS-1623	2.638	2.362	2.262	.748	1.283	RR10015S
1-1/2	DS-1624	2.756	2.362	2.418	.866	1.441	RR10015S
1-9/16	DS-1625	3.071	2.362	2.418	.866	1.441	RR10015S
1-5/8	DS-1626	3.071	2.362	2.418	.866	1.441	RR10015S
1-11/16	DS-1627	3.228	2.362	2.613	.984	1.638	RR10015S
1-3/4	DS-1628	3.228	2.362	2.613	1.005	1.638	RR10015S
1-13/16	DS-1629	3.386	2.362	2.613	1.005	1.638	RR10015S
1-7/8	DS-1630	3.386	2.362	2.730	1.063	1.756	RR10015S
2	DS-1632	3.622	2.362	2.730	1.063	1.756	RR10015S
2-1/8	DS-1634	3.937	2.362	2.925	1.181	1.953	RR10015S
2-3/16	DS-1635	3.937	2.362	3.042	1.260	2.071	RR10015S
2-1/4	DS-1636	3.937	2.362	3.042	1.260	2.071	RR10015S
2-3/8	DS-1638	4.134	2.362	3.198	1.378	2.228	RR10015S
2-1/2	DS-1640	4.291	2.362	3.432	1.378	2.465	RR10015S

Deep Fractional Sizes

SIZE in	PART#	D1 in	D2 in	L in	T in	C in	RET RING
1-5/16	DS-1621L	2.480	2.126	3.159	.748	2.189	RR10010S
1-3/8	DS-1622L	2.638	2.362	3.159	.748	2.189	RR10015S
1-7/16	DS-1623L	2.638	2.362	3.159	.748	2.189	RR10015S
1-1/2	DS-1624L	2.756	2.362	3.393	.866	2.322	RR10015S
1-9/16	DS-1625L	3.071	2.362	3.432	.866	2.322	RR10015S
1-5/8	DS-1626L	3.071	2.362	3.432	.866	2.322	RR10015S
1-11/16	DS-1627L	3.228	2.362	3.432	.984	2.322	RR10015S
1-3/4	DS-1628L	3.228	2.362	3.432	1.005	2.322	RR10015S
1-13/16	DS-1629L	3.386	2.362	3.432	1.005	2.322	RR10015S
1-7/8	DS-1630L	3.386	2.362	3.432	1.063	2.322	RR10015S
2	DS-1632L	3.622	2.362	3.432	1.063	2.322	RR10015S
2-1/8	DS-1634L	3.937	2.362	3.783	1.181	2.819	RR10015S
2-3/16	DS-1635L	3.937	2.362	3.783	1.260	2.819	RR10015S
2-1/4	DS-1636L	3.937	2.362	3.900	1.260	2.937	RR10015S
2-3/8	DS-1638L	4.134	2.362	3.900	1.378	2.937	RR10015S
2-1/2	DS-1640L	4.291	2.362	3.900	1.378	2.937	RR10015S

ATP 1" SQUARE DRIVE

ACCESSORIES



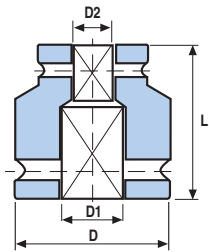
Universal Joint

SIZE in	PART#	L (hole to hole) in	RET RING
1	U1616	4.25	RR10010S



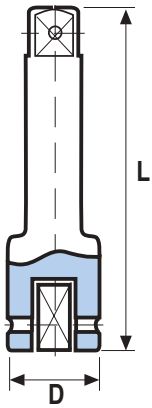
Adapters

PART#	FEMALE in	MALE in	L in	RET RING
A1612	1	3/4	2.750	RR10010S
A1624	1	1-1/2	3.346	RR10010S
A1695	1	#5 Spline	4.330	RR10010S



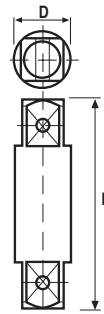
Double Ended Female Adapters

PART#	D1 in	D2 in	L in	D in	RET RINGS (D1) (D2)	
AN1612	1	3/4	2.48	2.13	10010S	RR10006S
AN1616	1	1	2.32	2.13	10010S	RR10010S
AN2416	1-1/2	1	3.27	3.39	10020S	RR10010S



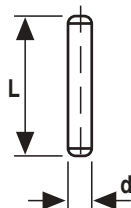
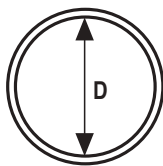
Extensions

PART#	D in	L in	RET RING
E1604	2.125	4	RR10010S
E1605	2.125	5	RR10010S
E1607	2.125	7	RR10010S
E1610	2.125	10	RR10010S
E1613	2.125	13	RR10010S



Double Ended Male Extensions

PART#	D in	L in
Z1603	1.3	3
Z1604	1.3	4
Z1605	1.3	5
Z1606	1.3	6
Z1607	1.3	7
Z1610	1.3	10
Z1613	1.3	13
Z1615	1.3	15
Z1616	1.3	16
Z1617	1.3	17



Retaining Pins and Rings

SQUARE DRIVE	SOCKET SIZES	PIN#	RING#	d in	L in	D in
1	Up To 2-3/4" (70mm)	P1654	R1654	.195	1.750	1.750
1	From 2-3/4" To 3-15/16" (100mm)	P1686	R1686	.195	3.000	3.000
1	Above 3-15/16" (100mm)	P16127	R16127	.195	4.600	4.600

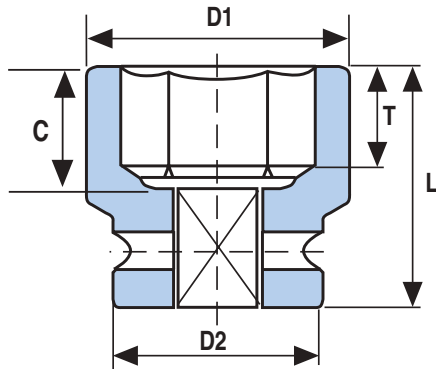
ATP 1-1/2" SQUARE DRIVE

SIX POINT IMPACT SOCKETS



The exceptional strength of the ATP 1-1/2" drive sockets often makes them the preferred choice of hydraulic bolting specialists.

Specialty sockets for the precision bolting market are available from ATP



Standard Fractional Sizes

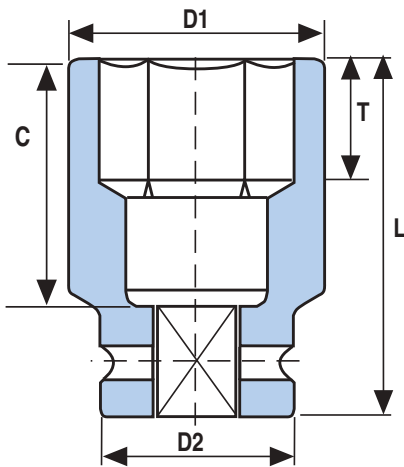


SIZE in	PART#	D1 in	D2 in	L in	T in	C in	RET RING
1-5/16	Z-2421	2.402	3.386	2.925	.748	1.328	RR10021S
1-3/8	Z-2422	2.480	3.386	2.925	.748	1.328	RR10021S
1-7/16	Z-2423	2.520	3.386	3.120	.748	1.525	RR10021S
1-1/2	Z-2424	2.520	3.386	3.120	.866	1.525	RR10021S
1-9/16	Z-2425	2.677	3.386	3.120	.866	1.525	RR10021S
1-5/8	Z-2426	2.795	3.386	3.120	.866	1.525	RR10021S
1-11/16	Z-2427	2.874	3.386	3.120	.984	1.525	RR10021S
1-3/4	Z-2428	2.953	3.386	3.120	1.004	1.525	RR10021S
1-13/16	Z-2429	2.953	3.386	3.120	1.004	1.525	RR10021S
1-7/8	Z-2430	3.150	3.386	3.198	1.036	1.603	RR10021S
1-15/16	Z-2431	3.150	3.386	3.198	1.063	1.603	RR10021S
2	Z-2432	3.150	3.386	3.198	1.063	1.603	RR10021S
2-1/16	Z-2433	3.386	3.386	3.471	1.181	1.840	RR10021S
2-1/8	Z-2434	3.386	3.386	3.471	1.181	1.840	RR10021S
2-3/16	Z-2435	3.386	3.386	3.588	1.260	1.958	RR10021S
2-1/4	Z-2436	3.386	3.386	3.588	1.280	1.958	RR10021S
2-5/16	Z-2437	3.622	3.386	3.588	1.300	1.958	RR10021S
2-3/8	Z-2438	3.622	3.386	3.744	1.378	2.115	RR10021S
2-7/16	Z-2439	3.780	3.386	3.744	1.378	2.115	RR10021S
2-1/2	Z-2440	3.937	3.386	3.744	1.378	2.115	RR10021S
2-9/16	Z-2441	3.937	3.386	3.744	1.378	2.115	RR10021S
2-5/8	Z-2442	3.937	3.386	3.939	1.496	2.312	RR10021S
2-11/16	Z-2443	4.134	3.386	3.939	1.496	2.312	RR10021S
2-3/4	Z-2444	4.134	3.386	3.939	1.496	2.312	RR10021S
2-13/16	Z-2445	4.291	3.386	4.095	1.575	2.509	RR10021S
2-7/8	Z-2446	4.291	3.386	4.095	1.614	2.509	RR10021S
2-15/16	Z-2447	4.291	3.386	4.095	1.614	2.509	RR10021S
3	Z-2448	4.528	3.386	4.290	1.732	2.706	RR10021S
3-1/16	Z-2449	4.528	3.386	4.290	1.732	2.706	RR10021S
3-1/8	Z-2450	4.528	3.386	4.290	1.770	2.706	RR10021S
3-3/16	Z-2451	4.764	3.386	4.524	1.850	3.099	RR10021S
3-1/4	Z-2452	4.764	3.386	4.524	1.850	3.099	RR10021S
3-5/16	Z-2453	4.764	3.386	4.524	1.850	3.099	RR10021S
3-3/8	Z-2454	5.000	3.386	4.524	1.930	3.099	RR10021S
3-7/16	Z-2455	5.000	3.386	4.602	1.930	3.099	RR10021S
3-1/2	Z-2456	5.118	3.386	4.602	1.930	3.099	RR10021S
3-9/16	Z-2457	5.118	3.386	4.602	1.930	3.099	RR10021S
3-5/8	Z-2458	5.315	5.000	4.602	1.930	3.099	*
3-11/16	Z-2459	5.315	5.000	4.602	1.930	3.099	*
3-3/4	Z-2460	5.315	5.000	4.602	1.930	3.296	*
3-13/16	Z-2461	5.512	5.000	4.875	2.125	3.296	*
3-7/8	Z-2462	5.512	5.000	4.875	2.125	3.296	*
3-15/16	Z-2463	5.512	5.000	4.875	2.125	3.296	*
4	Z-2464	5.709	5.000	4.875	2.125	3.296	*
4-1/16	Z-2465	5.709	5.000	4.875	2.125	3.296	*
4-1/8	Z-2466	5.906	5.000	4.875	2.126	3.296	*
4-3/16	Z-2467	5.906	5.000	5.343	2.440	3.296	*
4-1/4	Z-2468	5.906	5.000	5.343	2.440	3.690	*
4-5/16	Z-2469	6.102	5.000	5.343	2.440	3.690	*
4-3/8	Z-2470	6.102	5.000	5.343	2.440	3.690	*
4-7/16	Z-2471	6.102	5.000	5.343	2.440	3.690	*
4-1/2	Z-2472	6.299	5.000	5.343	2.440	3.690	*
4-5/8	Z-2474	6.496	5.000	5.577	2.640	4.084	*
4-3/4	Z-2476	6.693	5.000	5.655	2.640	4.084	*
4-7/8	Z-2478	6.693	5.000	5.655	2.640	4.084	*
5	Z-2480	7.087	5.000	5.850	2.830	4.281	*
5-1/8	Z-2482	7.087	5.000	6.162	2.990	4.674	*
5-3/16	Z-2483	7.087	5.000	6.162	2.990	4.674	*
5-1/4	Z-2484	7.480	5.000	6.162	2.980	4.574	*
5-3/8	Z-2486	7.480	5.000	6.162	2.990	4.674	*

* Requires retaining pin and ring, Pin = P24127, Ring = RR24127

ATP 1-1/2" SQUARE DRIVE

SIX POINT IMPACT SOCKETS



Deep Fractional Sizes

SIZE in	PART#	D1 in	D2 in	L in	T in	C in	RET RING
1-5/16	Z-2421L	2.402	3.386	5.460	.748	3.887	RR10021S
1-3/8	Z-2422L	2.480	3.386	5.460	.748	3.887	RR10021S
1-7/16	Z-2423L	2.520	3.386	5.460	.748	3.887	RR10021S
1-1/2	Z-2424L	2.520	3.386	5.460	.866	3.887	RR10021S
1-9/16	Z-2425L	2.677	3.386	5.460	.866	3.887	RR10021S
1-5/8	Z-2426L	2.795	3.386	5.460	.866	3.887	RR10021S
1-11/16	Z-2427L	2.874	3.386	5.460	.984	3.887	RR10021S
1-3/4	Z-2428L	2.953	3.386	5.460	1.004	3.887	RR10021S
1-13/16	Z-2429L	2.953	3.386	5.460	1.004	3.887	RR10021S
1-7/8	Z-2430L	3.150	3.386	5.460	1.036	3.887	RR10021S
1-15/16	Z-2431L	3.150	3.386	5.460	1.063	3.887	RR10021S
2	Z-2432L	3.150	3.386	5.460	1.063	3.887	RR10021S
2-1/16	Z-2433L	3.386	3.386	5.460	1.181	3.887	RR10021S
2-1/8	Z-2434L	3.386	3.386	5.460	1.181	3.887	RR10021S
2-3/16	Z-2435L	3.386	3.386	5.460	1.260	3.887	RR10021S
2-1/4	Z-2436L	3.386	3.386	5.460	1.280	3.887	RR10021S
2-5/16	Z-2437L	3.622	3.386	5.460	1.300	3.887	RR10021S
2-3/8	Z-2438L	3.622	3.386	5.460	1.378	3.887	RR10021S
2-7/16	Z-2439L	3.780	3.386	5.460	1.378	3.887	RR10021S
2-1/2	Z-2440L	3.937	3.386	5.460	1.378	3.887	RR10021S
2-9/16	Z-2441L	3.937	3.386	5.460	1.378	3.887	RR10021S
2-5/8	Z-2442L	3.937	3.386	5.460	1.496	3.887	RR10021S
2-11/16	Z-2443L	4.134	3.386	5.460	1.496	3.887	RR10021S
2-3/4	Z-2444L	4.134	3.386	5.460	1.496	3.887	RR10021S
2-13/16	Z-2445L	4.291	3.386	5.460	1.575	3.887	RR10021S
2-7/8	Z-2446L	4.291	3.386	5.460	1.614	3.887	RR10021S
2-15/16	Z-2447L	4.291	3.386	5.460	1.614	3.887	RR10021S
3	Z-2448L	4.528	3.386	5.460	1.732	3.887	RR10021S
3-1/16	Z-2449L	4.528	3.386	5.460	1.732	3.887	RR10021S
3-1/8	Z-2450L	4.528	3.386	5.460	1.770	3.887	RR10021S
3-3/16	Z-2451L	4.764	3.386	5.460	1.850	3.887	RR10021S
3-1/4	Z-2452L	4.764	3.386	5.460	1.850	3.887	RR10021S
3-5/16	Z-2453L	4.764	3.386	5.460	1.850	3.887	RR10021S
3-3/8	Z-2454L	5.000	3.386	5.460	1.930	3.887	RR10021S
3-7/16	Z-2455L	5.000	3.386	5.460	1.930	3.887	RR10021S
3-1/2	Z-2456L	5.118	3.386	5.460	1.930	3.887	RR10021S
3-9/16	Z-2457L	5.118	3.386	5.460	1.930	3.887	RR10021S
3-5/8	Z-2458L	5.315	5.000	5.460	1.930	3.887	*
3-11/16	Z-2459L	5.315	5.000	5.460	1.930	4.281	*
3-3/4	Z-2460L	5.315	5.000	5.850	1.930	4.281	*
3-13/16	Z-2461L	5.512	5.000	5.850	2.125	4.281	*
3-7/8	Z-2462L	5.512	5.000	5.850	2.125	4.281	*
3-15/16	Z-2463L	5.512	5.000	5.850	2.125	4.281	*
4	Z-2464L	5.709	5.000	5.850	2.125	4.281	*
4-1/16	Z-2465L	5.709	5.000	5.850	2.125	4.281	*
4-1/8	Z-2466L	5.906	5.000	5.850	2.126	4.281	*
4-3/16	Z-2467L	5.906	5.000	5.850	2.440	4.281	*
4-1/4	Z-2468L	5.906	5.000	6.240	2.440	4.674	*
4-5/16	Z-2469L	6.102	5.000	6.240	2.440	4.674	*
4-3/8	Z-2470L	6.102	5.000	6.240	2.440	4.674	*
4-7/16	Z-2471L	6.102	5.000	6.240	2.440	4.674	*
4-1/2	Z-2472L	6.299	5.000	6.240	2.440	4.674	*
4-5/8	Z-2474L	6.496	5.000	6.630	2.640	5.068	*
4-3/4	Z-2476L	6.693	5.000	6.630	2.640	5.068	*
4-7/8	Z-2478L	6.693	5.000	6.630	2.640	5.068	*
5	Z-2480L	7.087	5.000	7.020	2.830	5.462	*
5-1/8	Z-2482L	7.087	5.000	7.215	2.990	5.658	*
5-3/16	Z-2483L	7.087	5.000	7.215	2.990	5.658	*
5-3/8	Z-2486L	7.480	5.000	7.215	2.990	5.658	*

* Requires retaining pin and ring, Pin = P24127, Ring = RR24127

ATP 1-1/2" SQUARE DRIVE

SIX POINT IMPACT SOCKETS



Standard Metric Sizes



SIZE mm	PART#	D1 mm	D2 mm	L mm	T mm	C mm	RET RING
32	Z-24M32	60	86	75	16.5	34	RR10021S
33	Z-24M33	60	86	75	17	34	RR10021S
34	Z-24M34	60	86	75	17	34	RR10021S
35	Z-24M35	60	86	75	19	34	RR10021S
36	Z-24M36	64	86	80	19	39	RR10021S
37	Z-24M37	64	86	80	19	39	RR10021S
38	Z-24M38	64	86	80	22	39	RR10021S
39	Z-24M39	70	86	80	21.5	39	RR10021S
40	Z-24M40	70	86	80	21.5	39	RR10021S
41	Z-24M41	70	86	80	22	39	RR10021S
42	Z-24M42	70	86	80	21.5	39	RR10021S
43	Z-24M43	75	86	80	25	39	RR10021S
44	Z-24M44	75	86	80	21.5	39	RR10021S
45	Z-24M45	75	86	80	21.5	39	RR10021S
46	Z-24M46	75	86	80	25.5	39	RR10021S
47	Z-24M47	75	86	80	23.5	39	RR10021S
48	Z-24M48	80	86	82	23.5	41	RR10021S
49	Z-24M49	80	86	82	27	41	RR10021S
50	Z-24M50	80	86	82	23.5	41	RR10021S
51	Z-24M51	80	86	82	27	41	RR10021S
52	Z-24M52	80	86	82	27	41	RR10021S
54	Z-24M54	86	86	89	30	47	RR10021S
55	Z-24M55	86	86	89	27	47	RR10021S
56	Z-24M56	86	86	92	28	50	RR10021S
57	Z-24M57	86	86	92	32.5	50	RR10021S
58	Z-24M58	92	86	92	28	50	RR10021S
59	Z-24M59	92	86	92	33	50	RR10021S
60	Z-24M60	92	86	92	28	50	RR10021S
61	Z-24M61	96	86	96	28	54	RR10021S
62	Z-24M62	96	86	96	35	54	RR10021S
65	Z-24M65	100	86	96	35	54	RR10021S
67	Z-24M67	100	86	101	38	59	RR10021S
70	Z-24M70	105	86	101	38	59	RR10021S
73	Z-24M73	109	86	105	41	64	RR10021S
75	Z-24M75	109	86	105	41	64	RR10021S
76	Z-24M76	115	86	110	44	69	RR10021S
80	Z-24M80	115	86	110	37	69	RR10021S
85	Z-24M85	121	86	116	40	79	RR10021S
86	Z-24M86	127	86	116	49	79	RR10021S
90	Z-24M90	130	86	118	43	79	RR10021S
95	Z-24M95	135	127	118	49	84	*
100	Z-24M100	140	127	125	54	84	*
105	Z-24M105	150	127	125	54	84	*
110	Z-24M110	155	127	137	62	94	*
115	Z-24M115	160	127	137	57	94	*
120	Z-24M120	165	127	145	67	104	*
125	Z-24M125	170	127	145	67	104	*
130	Z-24M130	180	127	158	76	119	*

* Requires retaining pin and ring, Pin = P24127, Ring = RR24127

Deep Metric Sizes



SIZE mm	PART#	D1 mm	D2 mm	L mm	T mm	C mm	RET RING
32	Z-24M32L	60	86	140	16.5	99	RR10021S
33	Z-24M33L	60	86	140	17	99	RR10021S
34	Z-24M34L	60	86	140	17	99	RR10021S
35	Z-24M35L	60	86	140	19	99	RR10021S
36	Z-24M36L	64	86	140	19	99	RR10021S
37	Z-24M37L	64	86	140	19	99	RR10021S
38	Z-24M38L	64	86	140	22	99	RR10021S
39	Z-24M39L	70	86	140	21.5	99	RR10021S
40	Z-24M40L	70	86	140	21.5	99	RR10021S
41	Z-24M41L	70	86	140	22	99	RR10021S
42	Z-24M42L	70	86	140	21.5	99	RR10021S
43	Z-24M43L	75	86	140	25	99	RR10021S
44	Z-24M44L	75	86	140	21.5	99	RR10021S
45	Z-24M45L	75	86	140	21.5	99	RR10021S
46	Z-24M46L	75	86	140	25.5	99	RR10021S
47	Z-24M47L	75	86	140	23.5	99	RR10021S
48	Z-24M48L	80	86	140	23.5	99	RR10021S
49	Z-24M49L	80	86	140	27	99	RR10021S
50	Z-24M50L	80	86	140	23.5	99	RR10021S
51	Z-24M51L	80	86	140	27	99	RR10021S
52	Z-24M52L	80	86	140	27	99	RR10021S
54	Z-24M54L	86	86	140	30	99	RR10021S
55	Z-24M55L	86	86	140	27	99	RR10021S
56	Z-24M56L	86	86	140	28	99	RR10021S
57	Z-24M57L	86	86	140	32.5	99	RR10021S
58	Z-24M58L	92	86	140	28	99	RR10021S
59	Z-24M59L	92	86	140	33	99	RR10021S
60	Z-24M60L	92	86	140	28	99	RR10021S
61	Z-24M61L	96	86	140	28	99	RR10021S
62	Z-24M62L	96	86	140	35	99	RR10021S
65	Z-24M65L	100	86	140	35	99	RR10021S
67	Z-24M67L	100	86	140	38	99	RR10021S
70	Z-24M70L	105	86	140	38	99	RR10021S
73	Z-24M73L	109	86	140	41	99	RR10021S
75	Z-24M75L	109	86	140	41	99	RR10021S
76	Z-24M76L	115	86	140	44	99	RR10021S
80	Z-24M80L	115	86	140	37	99	RR10021S
85	Z-24M85L	121	86	140	40	99	RR10021S
86	Z-24M86L	127	86	140	49	99	RR10021S
90	Z-24M90L	130	86	140	43	99	RR10021S
95	Z-24M95L	135	127	150	49	109	*
100	Z-24M100L	140	127	150	54	109	*
105	Z-24M105L	150	127	150	54	109	*
110	Z-24M110L	155	127	160	62	119	*
115	Z-24M115L	160	127	160	57	119	*
120	Z-24M120L	165	127	170	67	129	*
125	Z-24M125L	170	127	170	67	129	*
130	Z-24M130L	180	127	185	76	144	*

* Requires retaining pin and ring, Pin = P24127, Ring = RR24127

ATP 1-1/2" SQUARE DRIVE

12 POINT IMPACT SOCKETS



Standard Socket Sizes

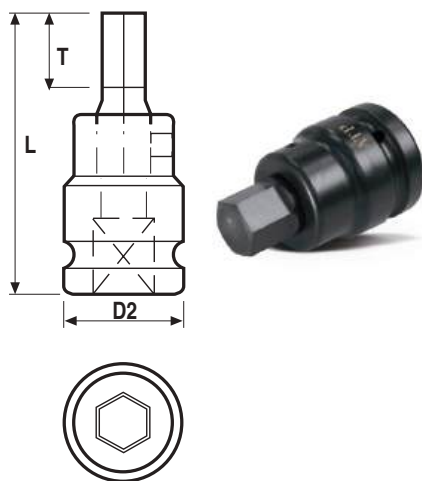
SIZE in	SIZE mm	PART#	D1 mm	D2 mm	L mm	T mm	Weight gr	RET RING
1-5/16		DH-2421	60	86	75	19	1800	RR10021S
1-3/8	35	DH-2422M35	60	86	75	19	1800	RR10021S
1-7/16		DH-2423	64	86	80	19	2200	RR10021S
1-1/2	38	DH-2424M38	64	86	80	22	2200	RR10021S
1-9/16		DH-2425	70	86	80	22	2200	RR10021S
1-5/8	41	DH-2426M41	70	86	80	22	2200	RR10021S
1-11/16	43	DH-2427M43	75	86	80	25	2200	RR10021S
1-3/4		DH-2428	75	86	80	25.5	2200	RR10021S
1-13/16	46	DH-2429M46	75	86	80	25.5	2200	RR10021S
1-7/8		DH-2430	80	86	82	27	2300	RR10021S
1-15/16	49	DH-2431M49	80	86	82	27	2300	RR10021S
2	51	DH-2432M51	80	86	82	27	2300	RR10021S
2-1/16		DH-2433	86	86	89	30	2500	RR10021S
2-1/8	54	DH-2434M54	86	86	89	30	2500	RR10021S
	55	DH-24M55	86	86	89	30	2500	RR10021S
2-3/16		DH-2435	86	86	92	32	2500	RR10021S
2-1/4	57	DH-2436M57	86	86	92	32.5	2500	RR10021S
2-5/16	59	DH-2437M59	92	86	92	33	2800	RR10021S
2-3/8		DH-2438	92	86	96	35	2800	RR10021S
2-7/16	62	DH-2439M62	96	86	96	35	3200	RR10021S
2-1/2		DH-2440	100	86	96	35	3350	RR10021S
2-9/16	65	DH-2441M65	100	86	96	35	3350	RR10021S
2-5/8	67	DH-2442M67	100	86	101	38	3350	RR10021S
2-3/4	70	DH-2444M70	105	86	101	38	3600	RR10021S
2-7/8	73	DH-2446M73	105	86	101	44	3900	RR10021S
2-15/16	75	DH-2447M75	105	86	101	44	3900	RR10021S
2-13/16		DH-2445	105	86	105	44	3900	RR10021S
3	76	DH-2448M76	115	86	110	44	4500	RR10021S
3-1/8		DH-2450	115	86	110	44	4500	RR10021S
3-3/16		DH-2451	121	86	116	47	5100	RR10021S

Standard Socket Sizes Cont.

SIZE in	SIZE mm	PART#	D1 mm	D2 mm	L mm	T mm	Weight gr	RET RING
3-14		DH-2452	121	86	116	47	5100	RR10021S
3-5/16		DH-2453	121	86	116	47	5100	RR10021S
3-3/8	86	DH-2454M86	127	86	116	49	5500	RR10021S
3-7/16		DH-2455	127	86	118	49	5500	RR10021S
3-1/2		DH-2456	130	86	118	49	5600	RR10021S
3-9/16		DH-2457	130	86	118	49	5600	RR10021S
3-5/8		DH-2458	135	127	118	49	7900	*
3-11/16		DH-2459	135	127	118	49	7900	*
3-3/4	95	DH-2460M95	135	127	118	49	7900	*
3-13/16		DH-2461	140	127	125	54	8500	*
3-7/8		DH-2462	140	127	125	54	8500	*
3-15/16	100	DH-2463M100	140	127	125	54	8500	*
4		DH-2464	145	127	125	54	9000	*
4-1/16		DH-2465	145	127	125	54	9000	*
4-1/8	105	DH-2466M105	150	127	125	54	9500	*
4-3/16		DH-2467	150	127	137	54	10200	*
4-1/4		DH-2468	150	127	137	62	10200	*
4-5/16	110	DH-2469M110	155	127	137	62	10400	*
4-3/8		DH-2470	155	127	137	62	10400	*
4-7/16		DH-2471	155	127	137	62	10400	*
4-1/2		DH-2472	160	127	137	62	11500	*
4-5/8		DH-2474	165	127	143	67	12000	*
4-3/4		DH-2476	165	127	145	67	12000	*
4-7/8		DH-2478	170	127	145	67	12200	*
5		DH-2480	180	127	150	72	14800	*
5-1/8	130	DH-2482M130	180	127	158	76	14800	*
5-3/16		DH-2483	180	127	158	76	14800	*
5-3/8		DH-2486	190	127	158	76	16700	*

* Requires retaining pin and ring, Pin = P24127, Ring = RR24127

2-Part In-Hex Sizes



HEX in	HEX mm	PART#	D2 mm	L mm	T mm	Weight gr	RET RING	REPLACEMENT HEX BIT
1		Z-2416V	86	116	25	2600	RR10021S	H16
1-1/8		Z-2418V	86	119	28	2600	RR10021S	H18
1-1/4		Z-2420V	86	123	32	2800	RR10021S	H20
1-3/8		Z-2422V	86	126	35	3400	RR10021S	H22
1-1/2		Z-2424V	86	129	38	3400	RR10021S	H24
1-5/8		Z-2426V	86	132	41	3520	RR10021S	H26
1-3/4		Z-2428V	86	135	44	3520	RR10021S	H28
1-13/16		Z-2429V	86	137	46	4700	RR10021S	H29
1-7/8		Z-2430V	86	139	48	4900	RR10021S	H30
2		Z-2432V	86	142	51	4900	RR10021S	H32
2-1/8		Z-2434V	86	145	54	5100	RR10021S	H34
	22	Z-24M22V	86	113	22	2600	RR10021S	HM22
	24	Z-24M24V	86	115	24	2600	RR10021S	HM24
	27	Z-24M27V	86	118	27	2600	RR10021S	HM27
	30	Z-24M30V	86	121	30	2800	RR10021S	HM30
	32	Z-24M32V	86	123	32	2800	RR10021S	HM32
	36	Z-24M36V	86	127	36	3400	RR10021S	HM36
	38	Z-24M38V	86	129	38	3400	RR10021S	HM38
	41	Z-24M41V	86	132	41	3520	RR10021S	HM41
	46	Z-24M46V	86	137	46	4700	RR10021S	HM46
	50	Z-24M50V	86	141	50	4900	RR10021S	HM50
	55	Z-24M55V	86	146	55	5100	RR10021S	HM55

Note: 2 piece construction

ATP 1-1/2" SQUARE DRIVE

ACCESSORIES



Universal Joint



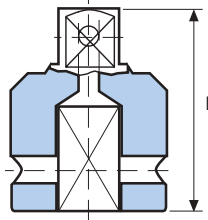
SIZE in	PART#	RET RING
1-1/2	U2424	RR10020S



Adapters



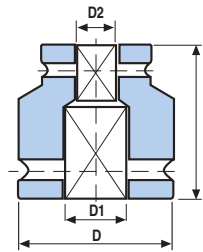
PART#	FEMALE in	MALE in	L in	RET RING
A2416	1-1/2	1	3.75	RR10020S
A2440	1-1/2	2-1/2	3.50	RR10020S
A2495	1-1/2	#5 Spline	4.33	RR10020S



Double Ended Female Adapters

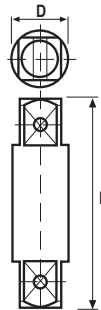


PART#	D1 in	D2 in	L in	D in	RET RINGS	
					(D1)	(D2)
AN2416	1-1/2	1	3.27	3.39	RR10020S	RR10008S
AN2424	1-1/2	1-1/2	3.35	3.39	RR10020S	RR10020S
AN4024	2-1/2	1-1/2	4.53	5.00	RR10035S	RR10020S



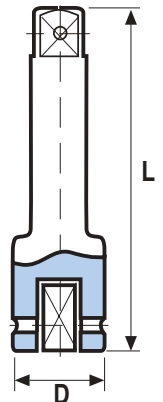
Double Ended Male Extensions

PART#	D in	L in
Z2404	1.93	4
Z2405	1.93	5
Z2410	1.93	10
Z2420	1.93	20



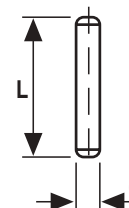
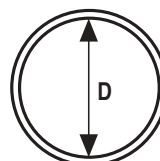
Extensions

PART#	D in	L in	RET RING
E2406	3.385	6	RR10020S
E2412	3.385	12	RR10020S



Retaining Pins and Rings

SQUARE DRIVE	SOCKET SIZES	PIN#	RING#	d in	L in	D in
1-1/2	Up To 3-9/16" (90mm)	P2486	R2486	.234	2.925	2.925
1-1/2	Above 3-9/16" (90mm)	P24127	R24127	.234	4.525	4.525



ATP 2-1/2" SQUARE DRIVE

SIX POINT IMPACT SOCKETS

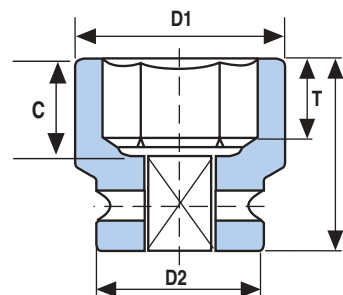


Standard Fractional Sizes

SIZE in	PART#	D1 in	D2 in	L in	T in	C in
1-5/8	Z-4026	4.094	5.000	4.485	0.846	2.349
1-11/16	Z-4027	4.094	5.000	4.485	0.984	2.349
1-3/4	Z-4028	4.094	5.000	4.485	1.000	2.349
1-13/16	Z-4029	4.094	5.000	4.485	1.000	2.349
1-7/8	Z-4030	4.094	5.000	4.485	1.062	2.349
1-15/16	Z-4031	4.094	5.000	4.485	1.062	2.349
2	Z-4032	4.094	5.000	4.485	1.062	2.349
2-1/16	Z-4033	4.094	5.000	4.485	1.181	2.349
2-1/8	Z-4034	4.094	5.000	4.485	1.181	2.349
2-3/16	Z-4035	4.094	5.000	4.485	1.260	2.349
2-1/4	Z-4036	4.094	5.000	4.485	1.280	2.349
2-5/16	Z-4037	4.094	5.000	4.485	1.299	2.349
2-3/8	Z-4038	4.094	5.000	4.485	1.378	2.349
2-7/16	Z-4039	4.094	5.000	4.485	1.378	2.349
2-1/2	Z-4040	4.094	5.000	4.485	1.378	2.349
2-9/16	Z-4041	4.094	5.000	4.485	1.378	2.349
2-5/8	Z-4042	4.094	5.000	4.485	1.496	2.349
2-11/16	Z-4043	4.094	5.000	4.485	1.496	2.349
2-3/4	Z-4044	4.094	5.000	4.485	1.496	2.349
2-13/16	Z-4045	4.094	5.000	4.870	1.575	2.349
2-7/8	Z-4046	4.094	5.000	4.870	1.614	2.349
2-15/16	Z-4047	4.094	5.000	4.870	1.614	2.349
3	Z-4048	4.094	5.000	4.870	1.732	2.349
3-1/16	Z-4049	4.094	5.000	4.870	1.732	2.349
3-1/8	Z-4050	4.094	5.000	4.870	1.732	2.349
3-3/16	Z-4051	5.000	5.000	5.070	1.850	2.743
3-1/4	Z-4052	5.000	5.000	5.070	1.850	2.743
3-5/16	Z-4053	5.000	5.000	5.070	1.850	2.743
3-3/8	Z-4054	5.000	5.000	5.070	1.930	2.743
3-7/16	Z-4055	5.315	5.000	5.140	1.930	2.822
3-1/2	Z-4056	5.315	5.000	5.140	1.930	2.822
3-9/16	Z-4057	5.315	5.000	5.140	1.930	2.822
3-5/8	Z-4058	5.315	5.000	5.140	1.930	2.822
3-11/16	Z-4059	5.315	5.000	5.140	1.930	2.822
3-3/4	Z-4060	5.512	5.000	5.140	1.930	2.822
3-13/16	Z-4061	5.709	5.000	5.500	2.125	3.137
3-7/8	Z-4062	5.709	5.000	5.500	2.125	3.137
3-15/16	Z-4063	5.709	5.000	5.500	2.125	3.137
4	Z-4064	5.906	5.000	5.500	2.125	3.137
4-1/16	Z-4065	5.906	5.000	5.500	2.125	3.137
4-1/8	Z-4066	6.102	5.000	5.500	2.125	3.137
4-3/16	Z-4067	6.102	5.000	5.850	2.440	3.491
4-1/4	Z-4068	6.102	5.000	5.850	2.440	3.491

Standard Fractional Sizes Cont.

SIZE in	PART#	D1 in	D2 in	L in	T in	C in
4-5/16	Z-4069	6.299	5.000	5.850	2.440	3.491
4-3/8	Z-4070	6.299	5.000	5.850	2.440	3.491
4-7/16	Z-4071	6.496	5.000	5.850	2.440	3.491
4-1/2	Z-4072	6.496	5.000	5.850	2.440	3.491
4-5/8	Z-4074	6.693	5.000	6.160	2.640	3.806
4-3/4	Z-4076	6.693	5.000	6.160	2.640	3.806
4-7/8	Z-4078	6.693	5.000	6.160	2.640	3.806
5	Z-4080	7.087	5.000	6.435	2.830	4.121
5-1/8	Z-4082	7.087	5.000	6.430	2.990	4.436
5-3/16	Z-4083	7.087	5.000	6.780	2.909	4.436
5-1/4	Z-4084	7.480	5.000	6.780	2.99	4.436
5-3/8	Z-4086	7.480	5.000	6.780	2.99	4.436
5-1/2	Z-4088	7.480	5.000	6.860	3.11	4.790
5-5/8	Z-4090	7.874	5.906	7.090	3.27	4.790
5-3/4	Z-4092	7.874	5.906	7.090	3.27	4.790
5-7/8	Z-4094	8.268	5.906	7.410	3.46	5.105
6	Z-4096	8.268	5.906	7.410	3.46	5.105
6-1/8	Z-4098	8.268	5.906	7.410	3.46	5.105
6-1/4	Z-40100	8.661	5.906	7.560	3.58	5.263
6-3/8	Z-40102	8.661	5.906	7.560	3.58	5.263
6-1/2	Z-40104	9.055	6.890	7.830	3.70	5.735
6-5/8	Z-40106	9.055	6.890	7.830	3.70	5.735
6-3/4	Z-40108	9.055	6.890	8.110	3.90	5.735
6-7/8	Z-40110	9.449	6.890	8.110	3.90	5.735
7	Z-40112	9.449	6.890	8.340	4.09	6.050
7-1/8	Z-40114	9.843	6.890	8.340	4.09	6.050
7-1/4	Z-40116	9.843	6.890	8.340	4.09	6.050
7-3/8	Z-40118	9.843	6.890	8.500	4.21	6.208
7-1/2	Z-40120	10.236	6.890	8.500	4.21	6.208
7-5/8	Z-40122	10.236	6.890	8.650	4.29	6.365
7-3/4	Z-40124	10.630	6.890	8.810	4.41	6.523
7-13/16	Z-40125	10.630	6.890	8.810	4.41	6.523
7-7/8	Z-40126	10.630	6.890	8.810	4.41	6.523
8	Z-40128	10.630	6.890	9.040	4.53	7.034
8-1/8	Z-40130	11.024	6.890	9.040	4.53	7.034
8-1/4	Z-40132	11.024	6.890	9.040	4.53	7.034
8-3/8	Z-40134	11.417	6.890	9.320	4.72	7.034
8-1/2	Z-40136	11.417	6.890	9.750	4.80	7.782
8-3/4	Z-40140	11.811	6.890	9.870	4.88	7.782
8-7/8	Z-40142	11.811	6.890	10.062	4.96	7.782
9	Z-40144	12.205	6.890	10.062	5.04	7.782
9-1/8	Z-40146	12.205	6.890	10.062	5.16	7.782
9-1/4	Z-40148	12.205	6.890	10.725	5.24	9.515



ATP 2-1/2" SQUARE DRIVE

SIX POINT IMPACT SOCKETS

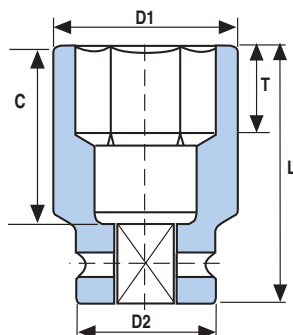


Deep Fractional Sizes

SIZE in	PART#	D1 in	D2 in	L in	T in	C in
1-5/8	Z-4026L	4.094	5.000	7.480	0.846	5.184
1-11/16	Z-4027L	4.094	5.000	7.480	0.984	5.184
1-3/4	Z-4028L	4.094	5.000	7.480	1.000	5.184
1-13/16	Z-4029L	4.094	5.000	7.480	1.000	5.184
1-7/8	Z-4030L	4.094	5.000	7.480	1.062	5.184
1-15/16	Z-4031L	4.094	5.000	7.480	1.062	5.184
2	Z-4032L	4.094	5.000	7.480	1.062	5.184
2-1/16	Z-4033L	4.094	5.000	7.480	1.181	5.184
2-1/8	Z-4034L	4.094	5.000	7.480	1.181	5.184
2-3/16	Z-4035L	4.094	5.000	7.480	1.260	5.184
2-1/4	Z-4036L	4.094	5.000	7.480	1.280	5.184
2-5/16	Z-4037L	4.094	5.000	7.480	1.299	5.184
2-3/8	Z-4038L	4.094	5.000	7.480	1.378	5.184
2-7/16	Z-4039L	4.094	5.000	7.480	1.378	5.184
2-1/2	Z-4040L	4.094	5.000	7.480	1.378	5.184
2-9/16	Z-4041L	4.094	5.000	7.480	1.378	5.184
2-5/8	Z-4042L	4.094	5.000	7.480	1.496	5.184
2-11/16	Z-4043L	4.094	5.000	7.480	1.496	5.184
2-3/4	Z-4044L	4.094	5.000	7.480	1.496	5.184
2-13/16	Z-4045L	4.094	5.000	7.480	1.575	5.184
2-7/8	Z-4046L	4.094	5.000	7.480	1.614	5.184
2-15/16	Z-4047L	4.094	5.000	7.480	1.614	5.184
3	Z-4048L	4.094	5.000	7.480	1.732	5.184
3-1/16	Z-4049L	4.094	5.000	7.480	1.732	5.184
3-1/8	Z-4050L	4.094	5.000	7.480	1.732	5.184
3-3/16	Z-4051L	5.000	5.000	7.480	1.850	5.184
3-1/4	Z-4052L	5.000	5.000	7.480	1.850	5.184
3-5/16	Z-4053L	5.000	5.000	7.480	1.850	5.184
3-3/8	Z-4054L	5.000	5.000	7.480	1.930	5.184
3-7/16	Z-4055L	5.315	5.000	7.480	1.930	5.184
3-1/2	Z-4056L	5.315	5.000	7.480	1.930	5.184
3-9/16	Z-4057L	5.315	5.000	7.480	1.930	5.184
3-5/8	Z-4058L	5.315	5.000	7.480	1.930	5.184
3-11/16	Z-4059L	5.315	5.000	7.480	1.930	5.184
3-3/4	Z-4060L	5.512	5.000	7.480	1.930	5.184
3-13/16	Z-4061L	5.709	5.000	7.720	2.125	5.420
3-7/8	Z-4062L	5.709	5.000	7.720	2.125	5.420
3-15/16	Z-4063L	5.709	5.000	7.720	2.125	5.420
4	Z-4064L	5.906	5.000	7.720	2.125	5.420
4-1/16	Z-4065L	5.906	5.000	7.720	2.125	5.420
4-1/8	Z-4066L	6.102	5.000	7.720	2.125	5.420
4-3/16	Z-4067L	6.102	5.000	8.070	2.440	5.775
4-1/4	Z-4068L	6.102	5.000	8.070	2.440	5.775

Deep Fractional Sizes Cont.

SIZE in	PART#	D1 in	D2 in	L in	T in	C in
4-5/16	Z-4069L	6.299	5.000	8.070	2.44	5.775
4-3/8	Z-4070L	6.299	5.000	8.070	2.44	5.775
4-7/16	Z-4071L	6.496	5.000	8.070	2.44	5.775
4-1/2	Z-4072L	6.496	5.000	8.070	2.44	5.775
4-5/8	Z-4074L	6.693	5.000	8.380	2.64	6.090
4-3/4	Z-4076L	6.693	5.000	8.380	2.64	6.090
4-7/8	Z-4078L	6.693	5.000	8.380	2.64	6.090
5	Z-4080L	7.087	5.000	8.700	2.83	6.405
5-1/8	Z-4082L	7.087	5.000	9.000	2.99	6.719
5-3/16	Z-4083L	7.087	5.000	9.000	2.99	6.719
5-1/4	Z-4084L	7.480	5.000	9.000	2.99	6.719
5-3/8	Z-4086L	7.480	5.000	9.000	2.99	6.719
5-1/2	Z-4088L	7.480	5.000	9.120	3.110	7.074
5-5/8	Z-4090L	7.874	5.906	9.360	3.270	7.074
5-3/4	Z-4092L	7.874	5.906	9.360	3.270	7.074
5-7/8	Z-4094L	8.268	5.906	9.670	3.460	7.389
6	Z-4096L	8.268	5.906	9.670	3.460	7.389
6-1/8	Z-4098L	8.268	5.906	9.670	3.460	7.389
6-1/4	Z-40100L	8.661	5.906	9.820	3.580	7.546
6-3/8	Z-40102L	8.661	5.906	9.820	3.580	7.546
6-1/2	Z-40104L	9.055	6.890	10.140	3.700	8.019
6-5/8	Z-40106L	9.055	6.890	10.140	3.700	8.019
6-3/4	Z-40108L	9.055	6.890	10.300	3.900	8.019
6-7/8	Z-40110L	9.449	6.890	10.300	3.900	8.019
7	Z-40112L	9.449	6.890	10.600	4.090	8.334
7-1/8	Z-40114L	9.843	6.890	10.600	4.090	8.334
7-1/4	Z-40116L	9.843	6.890	10.600	4.090	8.334
7-3/8	Z-40118L	9.843	6.890	10.760	4.210	8.491
7-1/2	Z-40120L	10.236	6.890	10.760	4.210	8.491
7-5/8	Z-40122L	10.236	6.890	10.920	4.290	8.649
7-3/4	Z-40124L	10.630	6.890	10.070	4.410	8.806
7-13/16	Z-40125L	10.630	6.890	10.070	4.410	8.806
7-7/8	Z-40126L	10.630	6.890	10.070	4.410	8.806
8	Z-40128L	10.630	6.890	11.310	4.530	9.318
8-1/8	Z-40130L	11.024	6.890	11.310	4.530	9.318
8-1/4	Z-40132L	11.024	6.890	11.310	4.530	9.318
8-3/8	Z-40134L	11.417	6.890	11.580	4.720	9.318
8-1/2	Z-40136L	11.417	6.890	12.320	4.800	10.066
8-3/4	Z-40140L	11.811	6.890	12.320	4.880	10.066
8-7/8	Z-40142L	11.811	6.890	12.320	4.960	10.066
9	Z-40144L	12.205	6.890	12.320	5.040	10.066
9-1/8	Z-40146L	12.205	6.890	12.320	5.160	10.066
9-1/4	Z-40148L	12.205	6.890	12.980	5.240	11.798



ATP 2-1/2" SQUARE DRIVE

SIX POINT IMPACT SOCKETS



Standard Metric Sizes

SIZE mm	PART#	D1 mm	D2 mm	L mm	T mm	C mm
41	Z-40M41	104	127	115	21.5	60
42	Z-40M42	104	127	115	21.5	60
43	Z-40M43	104	127	115	25	60
44	Z-40M44	104	127	115	21.5	60
45	Z-40M45	104	127	115	21.5	60
46	Z-40M46	104	127	115	25.5	60
47	Z-40M47	104	127	115	23.5	60
48	Z-40M48	104	127	115	23.5	60
49	Z-40M49	104	127	115	27	60
50	Z-40M50	104	127	115	23.5	60
51	Z-40M51	104	127	115	27	60
52	Z-40M52	104	127	115	27	60
54	Z-40M54	104	127	115	30	60
55	Z-40M55	104	127	115	27	60
56	Z-40M56	104	127	115	28	60
57	Z-40M57	104	127	115	32.5	60
58	Z-40M58	104	127	115	28	60
59	Z-40M59	104	127	115	33	60
60	Z-40M60	104	127	115	28	60
61	Z-40M61	104	127	115	28	60
62	Z-40M62	104	127	115	35	60
65	Z-40M65	104	127	115	35	60
67	Z-40M67	104	127	115	38	60
70	Z-40M70	104	127	115	38	60
73	Z-40M73	115	127	125	41	70
75	Z-40M75	115	127	125	41	70
76	Z-40M76	115	127	125	44	70
80	Z-40M80	115	127	125	37	70
85	Z-40M85	127	127	130	40	75
86	Z-40M86	127	127	130	49	75
90	Z-40M90	135	127	132	43	77
95	Z-40M95	140	127	132	49	77
100	Z-40M100	145	127	141	54	86
105	Z-40M105	150	127	141	54	86
110	Z-40M110	160	127	150	62	95
115	Z-40M115	165	127	158	57	103
120	Z-40M120	170	127	158	67	103
125	Z-40M125	170	127	158	67	103
130	Z-40M130	180	127	174	76	119
135	Z-40M135	190	127	174	76	119
140	Z-40M140	190	127	176	79	121
145	Z-40M145	200	150	182	83	127
150	Z-40M150	210	150	190	88	135
155	Z-40M155	210	150	190	88	135
160	Z-40M160	220	150	194	91	139
165	Z-40M165	230	175	201	94	146
170	Z-40M170	230	175	201	94	146
175	Z-40M175	240	175	208	99	153
180	Z-40M180	240	175	214	104	159
185	Z-40M185	250	175	214	104	159
190	Z-40M190	260	175	218	107	163
195	Z-40M195	260	175	222	109	167
200	Z-40M200	270	175	226	112	171
210	Z-40M210	280	175	232	115	177
215	Z-40M215	290	175	239	120	184
225	Z-40M225	300	175	258	126	203
235	Z-40M235	310	175	275	131	220

Deep Metric Sizes

SIZE mm	PART#	D1 mm	D2 mm	L mm	T mm	C mm
41	Z-40M41L	104	127	192	21.5	132
42	Z-40M42L	104	127	192	21.5	132
43	Z-40M43L	104	127	192	25	132
44	Z-40M44L	104	127	192	21.5	132
45	Z-40M45L	104	127	192	21.5	132
46	Z-40M46L	104	127	192	25.5	132
47	Z-40M47L	104	127	192	23.5	132
48	Z-40M48L	104	127	192	23.5	132
49	Z-40M49L	104	127	192	27	132
50	Z-40M50L	104	127	192	23.5	132
51	Z-40M51L	104	127	192	27	132
52	Z-40M52L	104	127	192	27	132
54	Z-40M54L	104	127	192	30	132
55	Z-40M55L	104	127	192	27	132
56	Z-40M56L	104	127	192	28	132
57	Z-40M57L	104	127	192	32.5	132
58	Z-40M58L	104	127	192	28	132
59	Z-40M59L	104	127	192	33	132
60	Z-40M60L	104	127	192	28	132
61	Z-40M61L	104	127	192	28	132
62	Z-40M62L	104	127	192	35	132
65	Z-40M65L	104	127	192	35	132
67	Z-40M67L	104	127	192	38	132
70	Z-40M70L	104	127	192	38	132
73	Z-40M73L	115	127	192	41	132
75	Z-40M75L	115	127	192	41	132
76	Z-40M76L	115	127	192	44	132
80	Z-40M80L	115	127	192	37	132
85	Z-40M85L	127	127	192	40	132
86	Z-40M86L	127	127	192	49	132
90	Z-40M90L	135	127	192	43	132
95	Z-40M95L	140	127	192	49	132
100	Z-40M100L	145	127	198	54	138
105	Z-40M105L	150	127	198	54	138
110	Z-40M110L	160	127	207	62	147
115	Z-40M115L	165	127	207	57	147
120	Z-40M120L	170	127	215	67	155
125	Z-40M125L	170	127	215	67	155
130	Z-40M130L	180	127	223	76	163
135	Z-40M135L	190	127	231	76	151
140	Z-40M140L	190	127	234	79	174
145	Z-40M145L	200	150	240	83	180
150	Z-40M150L	210	150	248	88	188
155	Z-40M155L	210	150	248	88	188
160	Z-40M160L	220	150	252	91	192
165	Z-40M165L	230	175	260	94	200
170	Z-40M170L	230	175	260	94	200
175	Z-40M175L	240	175	264	99	204
180	Z-40M180L	240	175	272	104	212
185	Z-40M185L	250	175	272	104	212
190	Z-40M190L	260	175	276	107	216
195	Z-40M195L	260	175	280	109	220
200	Z-40M200L	270	175	284	112	224
210	Z-40M210L	280	175	290	115	230
215	Z-40M215L	290	175	316	120	256
225	Z-40M225L	300	175	316	126	256
235	Z-40M235L	310	175	333	131	273

ATP ATP 2-1/2" SQUARE DRIVE

ACCESSORIES

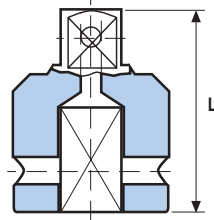


No one offers a broader line of 2-1/2" drive sockets than ATP for the heaviest bolting applications in construction, plant maintenance, power generation, shipbuilding and refining.

ATP sockets prove their value, they are used extensively in hydraulic bolting applications, and with large impact tools. ATP has a socket to exactly match your application. If not available from our standard product range, we'll custom design one for you (see page 78).

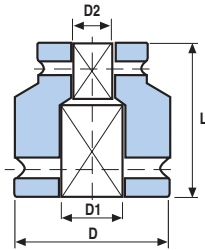
Adapters

PART#	FEMALE in	MALE in	L in
A4024	2-1/2	1-1/2	5.380
A4056	2-1/2	3-1/2	5.538



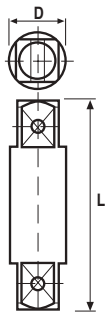
Double Ended Female Adapters

PART#	D1 in	D2 in	L in	D in
AN4024	2-1/2	1-1/2	4.53	5.00
AN4040	2-1/2	2-1/2	4.61	5.00
AN5640	3-1/2	2-1/2	6.34	6.89



Double Ended Male Extensions

PART#	D in	L in
Z4005	3.31	5
Z4006	3.31	6
Z4008	3.31	8
Z4010	3.31	10
Z4015	3.31	15
Z4020	3.31	20
Z4026	3.31	26



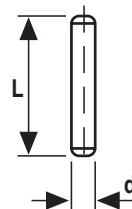
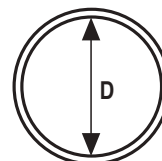
Universal Joint

SIZE in	PART#
2-1/2	U4040



Retaining Pins and Rings

SQUARE DRIVE	SOCKET SIZES	PIN#	RING#	d in	L in	D in
2-1/2	Up To 5-1/2" (140mm)	P40127	R40127	.312	4.290	4.446
2-1/2	From 5-1/2" (140mm) To 6-3/8" (160mm)	P40150	R40150	.312	5.187	5.309
2-1/2	Above 6-3/8" (160mm)	P40175	R40175	.312	6.162	6.318



ATP 3-1/2" SQUARE DRIVE

SIX POINT IMPACT SOCKETS

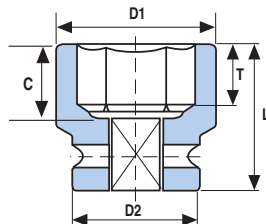


Standard Fractional Sizes

SIZE in	PART#	D1 in	D2 in	L in	T in	C in
3-7/8	Z-5662	6.890	6.890	6.435	2.125	3.371
3-15/16	Z-5663	6.890	6.890	6.435	2.125	3.725
4	Z-5664	6.890	6.890	6.435	2.125	3.725
4-1/16	Z-5665	6.890	6.890	6.435	2.125	3.725
4-1/8	Z-5666	6.890	6.890	6.435	2.125	3.725
4-3/16	Z-5667	6.890	6.890	6.786	2.440	3.725
4-1/4	Z-5668	6.890	6.890	6.786	2.440	3.725
4-5/16	Z-5669	6.890	6.890	6.786	2.440	4.040
4-3/8	Z-5670	6.890	6.890	6.786	2.440	4.040
4-7/16	Z-5671	6.890	6.890	6.786	2.440	4.040
4-1/2	Z-5672	6.890	6.890	6.786	2.440	4.040
4-5/8	Z-5674	6.890	6.890	7.100	2.640	4.040
4-3/4	Z-5676	6.890	6.890	7.100	2.640	4.355
4-7/8	Z-5678	6.890	6.890	7.100	2.640	4.355
5	Z-5680	7.480	6.890	7.722	2.830	4.355
5-1/8	Z-5682	7.480	6.890	7.722	3.000	4.355
5-3/16	Z-5683	7.480	6.890	7.722	3.000	4.670
5-1/4	Z-5684	7.480	6.890	7.722	3.000	4.670
5-3/8	Z-5686	7.874	6.890	7.722	3.000	4.670
5-1/2	Z-5688	7.874	6.890	8.000	3.110	5.300
5-5/8	Z-5690	8.268	6.890	8.270	3.270	5.300
5-3/4	Z-5692	8.268	6.890	8.270	3.270	5.300
5-7/8	Z-5694	8.268	6.890	8.270	3.460	5.300
6	Z-5696	8.661	6.890	8.350	3.460	5.300
6-1/8	Z-5698	8.661	6.890	8.350	3.460	5.300
6-1/4	Z-56100	9.055	6.890	8.500	3.580	5.458
6-3/8	Z-56102	9.055	6.890	8.500	3.580	5.458
6-1/2	Z-56104	9.055	6.890	8.970	3.700	5.930
6-5/8	Z-56106	9.449	6.890	8.970	3.700	5.930
6-3/4	Z-56108	9.449	6.890	8.970	3.900	5.930
6-7/8	Z-56110	9.843	6.890	8.970	3.900	5.930
7	Z-56112	9.843	6.890	9.250	4.090	6.206
7-1/8	Z-56114	9.843	6.890	9.250	4.090	6.206
7-1/4	Z-56116	10.236	6.890	9.250	4.090	6.206
7-3/8	Z-56118	10.236	6.890	9.438	4.210	6.363
7-1/2	Z-56120	10.630	6.890	9.438	4.210	6.363
7-5/8	Z-56122	10.630	6.890	9.600	4.290	6.521
7-3/4	Z-56124	10.630	6.890	9.710	4.410	6.678
7-13/16	Z-56125	11.024	6.890	9.710	4.410	6.678
7-7/8	Z-56126	11.024	6.890	9.710	4.410	6.678
8	Z-56128	11.024	6.890	10.000	4.530	7.229
8-1/8	Z-56130	11.417	6.890	10.000	4.530	7.229
8-1/4	Z-56132	11.417	6.890	10.000	4.530	7.229
8-3/8	Z-56134	11.417	6.890	10.250	4.720	7.229
8-1/2	Z-56136	11.811	6.890	10.410	4.800	7.859
8-3/4	Z-56140	12.205	6.890	10.530	4.880	7.859
8-7/8	Z-56142	12.205	6.890	10.640	4.960	7.859
9	Z-56144	12.205	6.890	10.760	5.040	7.859
9-1/8	Z-56146	12.598	6.890	10.880	5.160	7.859
9-1/4	Z-56148	12.598	6.890	11.110	5.240	9.198

Deep Fractional Sizes

SIZE in	PART#	D1 in	D2 in	L in	T in	C in
3-7/8	Z-5662L	6.890	6.890	10.800	2.125	7.781
3-15/16	Z-5663L	6.890	6.890	10.800	2.125	7.781
4	Z-5664L	6.890	6.890	10.800	2.125	7.781
4-1/16	Z-5665L	6.890	6.890	10.800	2.125	7.781
4-1/8	Z-5666L	6.890	6.890	10.800	2.125	7.781
4-3/16	Z-5667L	6.890	6.890	10.800	2.440	7.781
4-1/4	Z-5668L	6.890	6.890	10.800	2.440	7.781
4-5/16	Z-5669L	6.890	6.890	10.800	2.440	7.781
4-3/8	Z-5670L	6.890	6.890	10.800	2.440	7.781
4-7/16	Z-5671L	6.890	6.890	10.800	2.440	7.781
4-1/2	Z-5672L	6.890	6.890	10.800	2.440	7.781
4-5/8	Z-5674L	6.890	6.890	10.800	2.640	7.781
4-3/4	Z-5676L	6.890	6.890	10.800	2.640	7.781
4-7/8	Z-5678L	6.890	6.890	10.800	2.640	7.781
5	Z-5680L	7.480	6.890	10.800	2.830	7.781
5-1/8	Z-5682L	7.480	6.890	10.920	3.000	7.781
5-3/16	Z-5683L	7.480	6.890	10.920	3.000	7.899
5-1/4	Z-5684L	7.480	6.890	10.920	3.000	7.899
5-3/8	Z-5686L	7.874	6.890	10.920	3.000	7.899
5-1/2	Z-5688L	7.874	6.890	11.230	3.110	8.568
5-5/8	Z-5690L	8.268	6.890	11.500	3.270	8.568
5-3/4	Z-5692L	8.268	6.890	11.500	3.270	8.568
5-7/8	Z-5694L	8.268	6.890	11.500	3.460	8.568
6	Z-5696L	8.661	6.890	11.580	3.460	8.568
6-1/8	Z-5698L	8.661	6.890	11.580	3.460	8.568
6-1/4	Z-56100L	9.055	6.890	11.740	3.580	8.725
6-3/8	Z-56102L	9.055	6.890	11.740	3.580	8.725
6-1/2	Z-56104L	9.055	6.890	12.220	3.700	9.198
6-5/8	Z-56106L	9.449	6.890	12.220	3.700	9.198
6-3/4	Z-56108L	9.449	6.890	12.220	3.900	9.198
6-7/8	Z-56110L	9.843	6.890	12.220	3.900	9.198
7	Z-56112L	9.843	6.890	12.480	4.090	9.473
7-1/8	Z-56114L	9.843	6.890	12.480	4.090	9.473
7-1/4	Z-56116L	10.236	6.890	12.480	4.090	9.473
7-3/8	Z-56118L	10.236	6.890	12.630	4.210	9.631
7-1/2	Z-56120L	10.630	6.890	12.630	4.210	9.631
7-5/8	Z-56122L	10.630	6.890	12.800	4.290	9.788
7-3/4	Z-56124L	10.630	6.890	12.950	4.410	9.946
7-13/16	Z-56125L	11.024	6.890	12.950	4.410	9.946
7-7/8	Z-56126L	11.024	6.890	12.950	4.410	9.946
8	Z-56128L	11.024	6.890	13.220	4.530	10.497
8-1/8	Z-56130L	11.417	6.890	13.220	4.530	10.497
8-1/4	Z-56132L	11.417	6.890	13.220	4.530	10.497
8-3/8	Z-56134L	11.417	6.890	13.500	4.720	10.497
8-1/2	Z-56136L	11.811	6.890	13.650	4.800	11.127
8-3/4	Z-56140L	12.205	6.890	13.800	4.880	11.127
8-7/8	Z-56142L	12.205	6.890	13.920	4.960	11.127
9	Z-56144L	12.205	6.890	14.000	5.040	11.127
9-1/8	Z-56146L	12.598	6.890	14.110	5.160	11.127
9-1/4	Z-56148L	12.598	6.890	14.430	5.240	12.426



ATP 3-1/2" SQUARE DRIVE

SIX POINT IMPACT SOCKETS



Standard Metric Sizes

SIZE mm	PART#	D1 mm	D2 mm	L mm	T mm	C mm
100	Z-56M100	175	175	165	54	95
105	Z-56M105	175	175	165	54	94
110	Z-56M110	175	175	174	62	103
115	Z-56M115	175	175	174	57	103
120	Z-56M120	175	175	182	67	111
125	Z-56M125	175	175	182	67	111
130	Z-56M130	190	175	198	76	111
135	Z-56M135	190	175	198	76	119
140	Z-56M140	200	175	205	79	135
145	Z-56M145	210	175	212	83	135
150	Z-56M150	210	175	212	88	135
155	Z-56M155	220	175	214	88	135
160	Z-56M160	220	175	218	91	139
165	Z-56M165	230	175	230	94	151
170	Z-56M170	240	175	230	94	151
175	Z-56M175	250	175	230	99	151
180	Z-56M180	250	175	237	104	158
185	Z-56M185	260	175	237	104	158
190	Z-56M190	260	175	242	107	162
195	Z-56M195	270	175	246	109	166
200	Z-56M200	280	175	249	112	170
210	Z-56M210	290	175	256	115	184
215	Z-56M215	300	175	263	120	220
225	Z-56M225	310	175	273	126	200
230	Z-56M230	310	175	276	128	200
235	Z-56M235	320	175	279	131	200

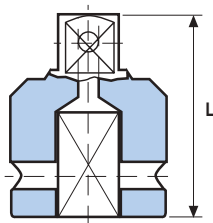
Deep Metric Sizes

SIZE mm	PART#	D1 mm	D2 mm	L mm	T mm	C mm
100	Z-56M100L	175	175	277	54	198
105	Z-56M105L	175	175	277	54	198
110	Z-56M110L	175	175	277	62	198
115	Z-56M115L	175	175	277	57	198
120	Z-56M120L	175	175	277	67	198
125	Z-56M125L	175	175	277	67	198
130	Z-56M130L	190	175	280	76	198
135	Z-56M135L	190	175	280	76	201
140	Z-56M140L	200	175	288	79	218
145	Z-56M145L	210	175	295	83	218
150	Z-56M150L	210	175	295	88	218
155	Z-56M155L	220	175	297	88	218
160	Z-56M160L	220	175	301	91	222
165	Z-56M165L	230	175	313	94	234
170	Z-56M170L	240	175	313	94	234
175	Z-56M175L	250	175	313	99	234
180	Z-56M180L	250	175	320	104	241
185	Z-56M185L	260	175	320	104	241
190	Z-56M190L	260	175	324	107	245
195	Z-56M195L	270	175	328	109	249
200	Z-56M200L	280	175	332	112	253
210	Z-56M210L	290	175	339	115	267
215	Z-56M215L	300	175	346	120	283
225	Z-56M225L	310	175	357	126	283
230	Z-56M230L	310	175	359	128	283
235	Z-56M235L	320	175	362	131	283

ACCESSORIES

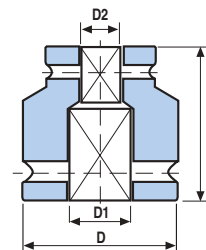
Adapters

PART#	FEMALE in	MALE in	L in
A5640	3-1/2	2-1/2	7/32



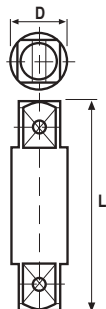
Double Ended Female Adapters

PART#	D1 in	D2 in	L in	D in
AN5640	3-1/2	2-1/2	6.34	6.89
AN5656	3-1/2	3-1/2	6.57	6.89



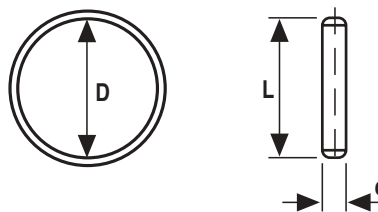
Double Ended Male Extensions

PART#	D in	L in
Z5610	4.685	10
Z5620	4.685	20
Z5640	4.685	40



Retaining Pins and Rings

SQUARE DRIVE	SOCKET SIZES	PIN#	RING#	d in	L in	D in
3-1/2	All Sizes	P56175	R56175	0.39	6.24	6.24



ATP #5 SPLINE DRIVE

SIX POINT IMPACT SOCKETS

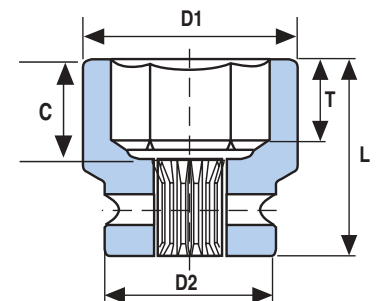


Standard Fractional Sizes

SIZE in	PART#	D1 in	D2 in	L in	T in	C in
3/4	Z-9512	1.890	2.362	2.730	.374	1.006
13/16	Z-9513	1.890	2.362	2.730	.435	1.006
7/8	Z-9514	1.890	2.362	2.730	.512	1.006
15/16	Z-9515	1.890	2.362	2.730	.512	1.006
1	Z-9516	1.929	2.362	2.730	.512	1.006
1-1/16	Z-9517	2.008	2.362	2.730	.512	1.006
1-1/8	Z-9518	2.008	2.362	2.730	.650	1.006
1-3/16	Z-9519	2.126	2.362	2.730	.650	1.006
1-1/4	Z-9520	2.362	2.362	2.925	.669	1.203
1-5/16	Z-9521	2.362	2.362	3.000	.748	1.281
1-3/8	Z-9522	2.362	2.362	3.000	.748	1.281
1-7/16	Z-9523	2.480	2.362	3.000	.748	1.281
1-1/2	Z-9524	2.480	2.362	3.125	.866	1.400
1-9/16	Z-9525	2.638	2.362	3.125	.866	1.400
1-5/8	Z-9526	2.638	2.362	3.125	.866	1.400
1-11/16	Z-9527	2.638	2.362	3.275	.984	1.557
1-3/4	Z-9528	2.874	2.362	3.275	1.000	1.557
1-13/16	Z-9529	2.874	2.362	3.275	1.000	1.577
1-7/8	Z-9530	2.874	2.362	3.432	1.063	1.715
1-15/16	Z-9531	2.874	2.362	3.432	1.063	1.715
2	Z-9532	3.228	2.362	3.432	1.063	1.715
2-1/16	Z-9533	3.228	3.386	3.625	1.181	1.911
2-1/8	Z-9534	3.228	3.386	3.625	1.181	1.911
2-3/16	Z-9535	3.228	3.386	3.740	1.260	2.030
2-1/4	Z-9536	3.465	3.386	3.740	1.299	2.030
2-5/16	Z-9537	3.465	3.386	3.740	1.299	2.030
2-3/8	Z-9538	3.465	3.386	3.822	1.378	2.108
2-7/16	Z-9539	3.465	3.386	3.900	1.378	2.108
2-1/2	Z-9540	3.937	3.386	3.900	1.378	2.108
2-9/16	Z-9541	3.937	3.386	3.900	1.378	2.108
2-5/8	Z-9542	3.937	3.386	3.978	1.496	2.266
2-11/16	Z-9543	3.937	3.386	3.978	1.496	2.266
2-3/4	Z-9544	3.937	3.386	3.978	1.496	2.266
2-13/16	Z-9545	4.134	3.386	4.210	1.575	2.502
2-7/8	Z-9546	4.134	3.386	4.210	1.614	2.502
2-15/16	Z-9547	4.134	3.386	4.210	1.614	2.502
3	Z-9548	4.291	3.386	4.446	1.732	2.738
3-1/16	Z-9549	4.291	3.386	4.446	1.732	2.738
3-1/8	Z-9550	4.291	3.386	4.446	1.732	2.738
3-1/4	Z-9552	5.062	3.386	4.909	2.106	2.781
3-5/16	Z-9553	5.062	3.386	4.909	2.106	2.781
3-3/8	Z-9554	5.062	3.386	4.909	2.106	2.781
3-1/2	Z-9556	5.129	3.386	4.909	2.106	2.781
3-5/8	Z-9558	5.256	3.386	4.909	2.106	2.781
3-3/4	Z-9560	5.309	3.386	4.909	2.106	2.781
3-7/8	Z-9562	5.442	3.386	4.909	2.106	2.781
4	Z-9564	5.511	3.386	4.909	2.106	2.781

Deep Fractional Sizes

SIZE in	PART#	D1 in	D2 in	L in	T in	C in
3/4	Z-9512L	1.890	2.362	6.240	.374	4.549
13/16	Z-9513L	1.890	2.362	6.240	.435	4.549
7/8	Z-9514L	1.890	2.362	6.240	.512	4.549
15/16	Z-9515L	1.890	2.362	6.240	.512	4.549
1	Z-9516L	1.929	2.362	6.240	.512	4.549
1-1/16	Z-9517L	2.008	2.362	6.240	.512	4.549
1-1/8	Z-9518L	2.008	2.362	6.240	.650	4.549
1-3/16	Z-9519L	2.126	2.362	6.240	.650	4.549
1-1/4	Z-9520L	2.362	2.362	6.240	.669	4.549
1-5/16	Z-9521L	2.362	2.362	6.240	.748	4.549
1-3/8	Z-9522L	2.362	2.362	6.240	.748	4.549
1-7/16	Z-9523L	2.480	2.362	6.240	.748	4.549
1-1/2	Z-9524L	2.480	2.362	6.240	.866	4.549
1-9/16	Z-9525L	2.638	2.362	6.240	.866	4.549
1-5/8	Z-9526L	2.638	2.362	6.240	.866	4.549
1-11/16	Z-9527L	2.638	2.362	6.240	.984	4.549
1-3/4	Z-9528L	2.874	2.362	6.240	1.000	4.549
1-13/16	Z-9529L	2.874	2.362	6.240	1.000	4.549
1-7/8	Z-9530L	2.874	2.362	6.240	1.063	4.549
1-15/16	Z-9531L	2.874	2.362	6.240	1.063	4.549
2	Z-9532L	3.228	2.362	6.240	1.063	4.549
2-1/16	Z-9533L	3.228	3.386	6.240	1.181	4.549
2-1/8	Z-9534L	3.228	3.386	6.240	1.181	4.549
2-3/16	Z-9535L	3.228	3.386	6.240	1.260	4.549
2-1/4	Z-9536L	3.465	3.386	6.240	1.299	4.549
2-5/16	Z-9537L	3.465	3.386	6.240	1.299	4.549
2-3/8	Z-9538L	3.465	3.386	6.240	1.373	4.549
2-7/16	Z-9539L	3.465	3.386	6.240	1.378	4.549
2-1/2	Z-9540L	3.937	3.386	6.240	1.378	4.549
2-9/16	Z-9541L	3.937	3.386	6.240	1.378	4.549
2-5/8	Z-9542L	3.937	3.386	6.240	1.496	4.549
2-11/16	Z-9543L	3.937	3.386	6.240	1.496	4.549
2-3/4	Z-9544L	3.937	3.386	6.240	1.496	4.549
2-13/16	Z-9545L	4.134	3.386	6.240	1.575	4.549
2-7/8	Z-9546L	4.134	3.386	6.240	1.614	4.549
2-15/16	Z-9547L	4.134	3.386	6.240	1.614	4.549
3	Z-9548L	4.291	3.386	6.240	1.732	4.628
3-1/16	Z-9549L	4.291	3.386	6.310	1.732	4.628
3-1/8	Z-9550L	4.291	3.386	6.310	1.732	4.628



ATP #5 SPLINE DRIVE

SIX POINT IMPACT SOCKETS



Standard Metric Sizes

SIZE mm	PART#	D1 mm	D2 mm	L mm	T mm	C mm
19	Z-95M19	48	60	70	.374	26
20	Z-95M20	48	60	70	.394	26
21	Z-95M21	48	60	70	.394	26
22	Z-95M22	48	60	70	.394	26
23	Z-95M23	48	60	70	.472	26
24	Z-95M24	49	60	70	.472	26
25	Z-95M25	49	60	70	.512	26
26	Z-95M26	51	60	70	.512	26
27	Z-95M27	51	60	70	.512	26
28	Z-95M28	51	60	70	.551	26
29	Z-95M29	54	60	70	.551	26
30	Z-95M30	54	60	70	.650	26
31	Z-95M31	60	60	75	.650	31
32	Z-95M32	60	60	75	.650	31
33	Z-95M33	60	60	75	.669	31
34	Z-95M34	60	60	77	.669	33
35	Z-95M35	60	60	77	.748	33
36	Z-95M36	63	60	77	.748	33
37	Z-95M37	63	60	77	.748	33
38	Z-95M38	63	60	80	.866	36
39	Z-95M39	67	60	80	.866	36
40	Z-95M40	67	60	80	.866	36
41	Z-95M41	67	60	80	.866	36
42	Z-95M42	67	60	80	.846	36
43	Z-95M43	67	60	84	.984	40
44	Z-95M44	73	60	84	.846	40
45	Z-95M45	73	60	84	.846	40
46	Z-95M46	73	60	84	1.004	40
47	Z-95M47	73	60	84	.925	40
48	Z-95M48	73	60	88	.925	44
49	Z-95M49	73	60	88	1.063	44
50	Z-95M50	82	60	88	.925	44
51	Z-95M51	82	60	88	1.063	44
52	Z-95M52	82	60	88	1.063	44
54	Z-95M54	82	60	93	1.181	49
55	Z-95M55	82	60	93	1.063	49
56	Z-95M56	88	86	96	1.102	52
57	Z-95M57	88	76	96	1.299	52
58	Z-95M58	88	86	96	1.102	52
59	Z-95M59	88	86	96	1.299	52
60	Z-95M60	88	86	96	1.102	52
61	Z-95M61	88	86	98	1.102	54
62	Z-95M62	88	86	100	1.378	56
65	Z-95M65	100	86	100	1.378	56
67	Z-95M67	100	86	102	1.496	58
70	Z-95M70	100	86	102	1.496	58
73	Z-95M73	105	86	108	1.614	64
75	Z-95M75	105	86	108	1.614	64
76	Z-95M76	109	86	114	1.732	70
80	Z-95M80	115	86	114	1.457	70

Deep Metric Sizes

SIZE mm	PART#	D1 mm	D2 mm	L mm	T mm	C mm
19	Z-95M19L	48	60	160	.374	116
20	Z-95M20L	48	60	160	.394	116
21	Z-95M21L	48	60	160	.394	116
22	Z-95M22L	48	60	160	.394	116
23	Z-95M23L	48	60	160	.472	116
24	Z-95M24L	49	60	160	.472	116
25	Z-95M25L	49	60	160	.512	116
26	Z-95M26L	51	60	160	.512	116
27	Z-95M27L	51	60	160	.512	116
28	Z-95M28L	51	60	160	.551	116
29	Z-95M29L	54	60	160	.551	116
30	Z-95M30L	54	60	160	.650	116
31	Z-95M31L	60	60	160	.650	116
32	Z-95M32L	60	60	160	.650	116
33	Z-95M33L	60	60	160	.669	116
34	Z-95M34L	60	60	160	.669	116
35	Z-95M35L	60	60	160	.748	116
36	Z-95M36L	63	60	160	.748	116
37	Z-95M37L	63	60	160	.748	116
38	Z-95M38L	63	60	160	.866	116
39	Z-95M39L	67	60	160	.866	116
40	Z-95M40L	67	60	160	.866	116
41	Z-95M41L	67	60	160	.866	116
42	Z-95M42L	67	60	160	.846	116
43	Z-95M43L	67	60	160	.984	116
44	Z-95M44L	73	60	160	.846	116
45	Z-95M45L	73	60	160	.846	116
46	Z-95M46L	73	60	160	1.004	116
47	Z-95M47L	73	60	160	.925	116
48	Z-95M48L	73	60	160	.925	116
49	Z-95M49L	73	60	160	1.063	116
50	Z-95M50L	82	60	160	.925	116
51	Z-95M51L	82	60	160	1.063	116
52	Z-95M52L	82	60	160	1.063	116
54	Z-95M54L	82	60	160	1.181	116
55	Z-95M55L	82	60	160	1.063	116
56	Z-95M56L	88	86	160	1.102	116
57	Z-95M57L	88	76	160	1.299	116
58	Z-95M58L	88	86	160	1.102	116
59	Z-95M59L	88	86	160	1.299	116
60	Z-95M60L	88	86	160	1.102	116
61	Z-95M61L	88	86	160	1.102	116
62	Z-95M62L	88	86	160	1.378	116
65	Z-95M65L	100	86	160	1.378	116
67	Z-95M67L	100	86	160	1.496	116
70	Z-95M70L	100	86	160	1.496	116
73	Z-95M73L	105	86	160	1.614	116
75	Z-95M75L	105	86	162	1.614	116
76	Z-95M76L	109	86	162	1.732	118
80	Z-95M80L	115	86	162	1.457	118

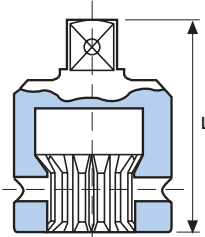
ATP ACCESSORIES FOR #5 SPLINE DRIVE

SIX POINT IMPACT SOCKETS



Adapters

PART#	FEMALE in	MALE in	L in
A9516	#5	1"	3.54
A9524	#5	1-1/2"	3.94
A2495	1-1/2"	#5	5.43



Extensions

PART#	L in
E9508	8
E9515	15

Universal Joint

SIZE	PART#
#5 Spline Drive	U9595

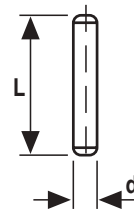
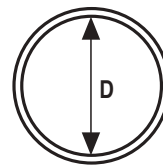


Universal Joint Repair Kits

PART#	DESCRIPTION
95UK1	Retainer Kit Contents: Hex Plunger, Lock Button, Inner & Outer Springs
95UK2	Pin Kit Contents: Drive Pin, Trunnions, Spiral Pins
95UK3	Retrofit Kit Contents: All Parts From the Above 2 Kits

Retaining Pins and Rings

SPLINE DRIVE	SOCKET SIZES	PIN#	RING#	d in	L in	D in
#5	Up To 2-3/16" (55mm)	P9560	R9560	.950	1.950	1.950
#5	Above 2-3/16" (55mm)	P9586	R9586	.950	2.964	2.964



ATP 12 POINT OPENING

FLAT STRIKING WRENCHES

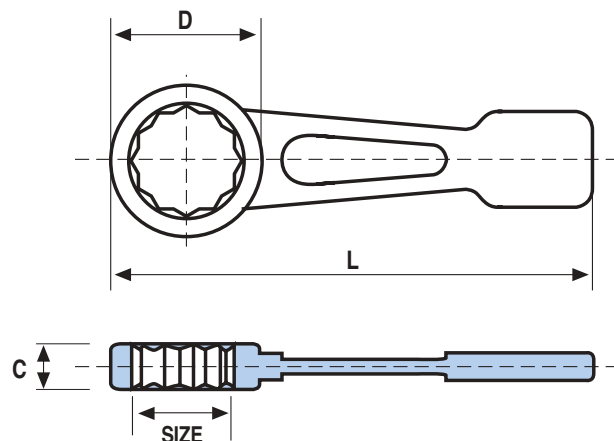


Fractional Sizes

PART#	SIZE in	D in	C in	L in
FSW14	7/8	1-13/16	9/16	6-1/2
FSW15	15/16	1-13/16	9/16	6-1/2
FSW16	1	1-13/16	9/16	6-1/2
FSW17	1-1/16	1-13/16	5/8	7-1/16
FSW18	1-1/8	1-13/16	5/8	7-1/16
FSW19	1-3/16	2-1/16	11/16	7-1/2
FSW20	1-1/4	2-1/16	11/16	7-1/2
FSW21	1-5/16	2-1/16	11/16	7-1/2
FSW22	1-3/8	2-1/16	11/16	7-1/2
FSW23	1-7/16	2-15/16	11/16	8-1/16
FSW24	1-1/2	2-15/16	11/16	8-1/16
FSW25	1-9/16	2-15/16	11/16	8-1/16
FSW26	1-5/8	2-15/16	13/16	9-1/16
FSW27	1-11/16	2-15/16	13/16	9-1/16
FSW28	1-3/4	2-15/16	13/16	9-1/16
FSW29	1-13/16	2-15/16	7/8	9-7/16
FSW30	1-7/8	2-15/16	7/8	9-7/16
FSW31	1-15/16	2-15/16	7/8	9-7/16
FSW32	2	3-1/8	15/16	10-1/16
FSW33	2-1/16	3-1/8	15/16	10-1/16
FSW34	2-1/8	3-1/8	15/16	10-1/16
FSW35	2-3/16	3-3/8	1	10-5/8
FSW36	2-1/4	3-3/8	1	10-5/8
FSW37	2-5/16	3-3/8	1	10-5/8
FSW38	2-3/8	3-11/16	1	11
FSW39	2-7/16	3-11/16	1	11
FSW40	2-1/2	3-11/16	1	11
FSW41	2-9/16	4	1-3/16	11-13/16
FSW42	2-5/8	4	1-3/16	11-13/16
FSW43	2-11/16	4	1-3/16	11-13/16
FSW44	2-3/4	4-5/16	1-5/16	13
FSW45	2-13/16	4-5/16	1-5/16	13
FSW46	2-7/8	4-5/16	1-5/16	13
FSW47	2-15/16	4-5/16	1-5/16	13
FSW48	3	4-5/16	1-5/16	13
FSW49	3-1/16	4-5/16	1-5/16	13
FSW50	3-1/8	4-15/16	1-7/16	14-3/16
FSW51	3-3/16	4-15/16	1-7/16	14-3/16
FSW52	3-1/4	4-15/16	1-7/16	14-3/16
FSW53	3-5/16	4-15/16	1-7/16	14-3/16
FSW54	3-3/8	4-15/16	1-7/16	14-3/16
FSW55	3-7/16	4-15/16	1-7/16	14-3/16
FSW56	3-1/2	4-15/16	1-7/16	14-3/16
FSW57	3-9/16	5-9/16	1-9/16	15-3/8
FSW58	3-5/8	5-9/16	1-9/16	15-3/8
FSW59	3-11/16	5-9/16	1-9/16	15-3/8
FSW60	3-3/4	5-9/16	1-9/16	15-3/8
FSW61	3-13/16	5-9/16	1-9/16	15-3/8
FSW62	3-7/8	5-9/16	1-9/16	15-3/8
FSW63	3-15/16	6-1/8	1-3/4	16-9/16
FSW64	4	6-1/8	1-3/4	16-9/16
FSW65	4-1/16	6-1/8	1-3/4	16-9/16
FSW66	4-1/8	6-1/8	1-3/4	16-9/16
FSW67	4-3/16	6-1/8	1-3/4	16-9/16
FSW68	4-1/4	6-1/8	1-3/4	16-9/16

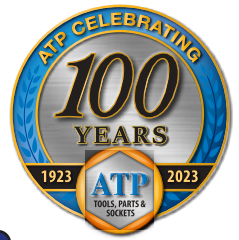
Fractional Sizes Cont.

PART#	SIZE in	D in	C in	L in
FSW69	4-5/16	6-11/16	1-7/8	17-11/16
FSW70	4-3/8	6-11/16	1-7/8	17-11/16
FSW71	4-7/16	6-11/16	1-7/8	17-11/16
FSW72	4-1/2	6-11/16	1-7/8	17-11/16
FSW74	4-5/8	6-11/16	1-7/8	17-11/16
FSW76	4-3/4	7-3/16	2-1/8	18-7/8
FSW78	4-7/8	7-3/16	2-1/8	18-7/8
FSW80	5	7-3/16	2-1/8	18-7/8
FSW82	5-1/8	7-15/16	2-5/16	20-1/2
FSW83	5-3/16	7-15/16	2-5/16	20-1/2
FSW84	5-1/4	7-15/16	2-5/16	20-1/2
FSW86	5-3/8	7-15/16	2-5/16	20-1/2
FSW88	5-1/2	8-1/4	2-5/16	20-1/2
FSW90	5-5/8	8-1/4	2-5/16	20-1/2
FSW92	5-3/4	9	2-1/2	22-13/16
FSW94	5-7/8	9	2-1/2	22-13/16
FSW96	6	9	2-1/2	22-13/16
FSW98	6-1/8	9	2-1/2	22-13/16
FSW100	6-1/4	9	2-1/2	22-13/16
FSW102	6-3/8	9-7/16	2-1/2	22-13/16
FSW104	6-1/2	10-7/16	2-3/4	25-9/16
FSW106	6-5/8	10-7/16	2-3/4	25-9/16
FSW108	6-3/4	10-7/16	2-3/4	25-9/16
FSW110	6-7/8	10-7/16	2-3/4	25-9/16
FSW112	7	10-7/16	2-3/4	25-9/16
FSW114	7-1/8	10-7/16	2-3/4	25-9/16
FSW116	7-1/4	11-7/16	2-15/16	27-9/16
FSW118	7-3/8	11-7/16	2-15/16	27-9/16
FSW120	7-1/2	11-7/16	2-15/16	27-9/16
FSW122	7-5/8	11-7/16	2-15/16	27-9/16
FSW124	7-3/4	11-7/16	2-15/16	27-9/16
FSW125	7-13/16	11-7/16	2-15/16	27-9/16
FSW126	7-7/8	11-7/16	2-15/16	27-9/16
FSW128	8	11-7/16	2-15/16	27-9/16
FSW130	8-1/8	11-7/16	2-15/16	27-9/16
FSW132	8-1/4	12-5/8	3-1/8	29-1/2
FSW134	8-3/8	12-5/8	3-1/8	29-1/2
FSW136	8-1/2	12-5/8	3-1/8	29-1/2
FSW140	8-5/8	12-5/8	3-1/8	29-1/2
FSW142	8-7/8	12-5/8	3-1/8	29-1/2
FSW144	9	12-5/8	3-1/8	29-1/2



ATP 12 POINT OPENING

FLAT STRIKING WRENCHES



Metric Sizes

PART#	SIZE mm	D mm	C mm	L mm
FSWM22	22	43	15	165
FSWM23	23	43	15	165
FSWM24	24	43	15	165
FSWM25	25	43	15	165
FSWM26	26	43	15	165
FSWM27	27	46	16	180
FSWM28	28	46	16	180
FSWM29	29	46	16	180
FSWM30	30	52	17	190
FSWM31	31	52	17	190
FSWM32	32	52	17	190
FSWM33	33	52	17	190
FSWM34	34	52	17	190
FSWM35	35	52	17	190
FSWM36	36	58	18	205
FSWM37	37	58	18	205
FSWM38	38	58	18	205
FSWM39	39	58	18	205
FSWM40	40	58	18	205
FSWM41	41	66	20	230
FSWM42	42	66	20	230
FSWM43	43	66	20	230
FSWM44	44	66	20	230
FSWM45	45	66	20	230
FSWM46	46	74	22	240
FSWM47	47	74	22	240
FSWM48	48	74	22	240
FSWM49	49	74	22	240
FSWM50	50	80	24	255
FSWM51	51	80	24	255
FSWM52	52	80	24	255
FSWM54	54	80	24	255
FSWM55	55	86	25	270
FSWM56	56	86	25	270
FSWM57	57	86	25	270
FSWM58	58	86	25	270
FSWM59	59	86	25	270
FSWM60	60	93	26	280

Metric Sizes Cont.

PART#	SIZE mm	D mm	C mm	L mm
FSWM61	61	93	26	280
FSWM62	62	93	26	280
FSWM65	65	102	30	300
FSWM67	67	102	30	300
FSWM70	70	110	33	330
FSWM73	73	110	33	330
FSWM75	75	110	33	330
FSWM76	76	110	33	330
FSWM80	80	125	36	360
FSWM85	85	125	36	360
FSWM86	86	125	36	360
FSWM90	90	142	40	390
FSWM95	95	142	40	390
FSWM100	100	115	45	420
FSWM105	105	155	45	420
FSWM110	110	170	48	450
FSWM115	115	170	48	450
FSWM120	120	182	54	480
FSWM125	125	182	54	480
FSWM130	130	202	58	520
FSWM135	135	202	58	520
FSWM140	140	210	58	520
FSWM145	145	228	64	580
FSWM150	150	228	64	580
FSWM155	155	228	64	580
FSWM160	160	240	64	580
FSWM165	165	265	70	650
FSWM170	170	265	70	650
FSWM175	175	265	70	650
FSWM180	180	265	70	650
FSWM185	185	290	75	700
FSWM190	190	290	75	700
FSWM195	195	290	75	700
FSWM200	200	290	75	700
FSWM210	210	320	80	750
FSWM215	215	320	80	750
FSWM225	225	320	80	750
FSWM230	230	320	80	750

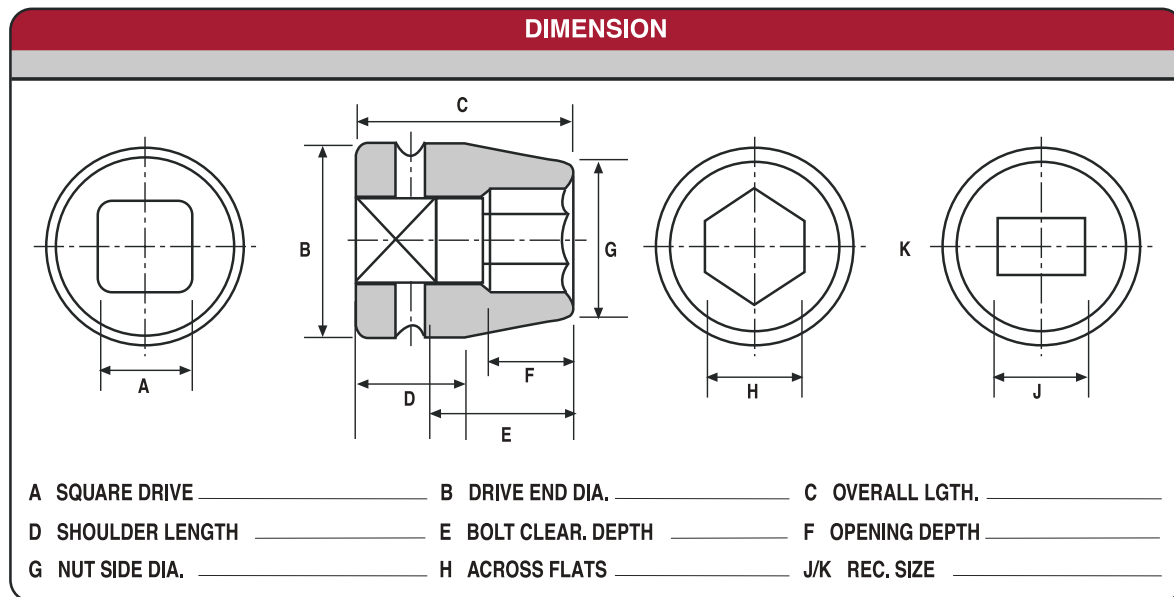
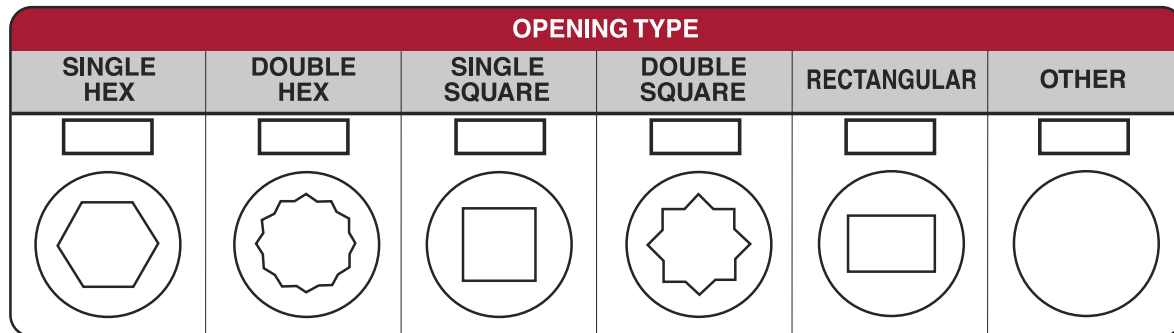
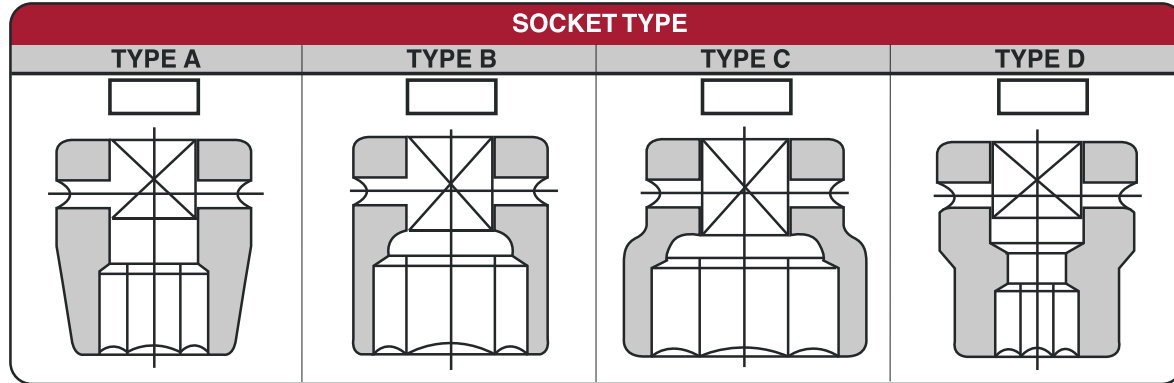


ATP NON-STANDARD SOCKET DESCRIPTION FOR QUOTATION

COMPANY: _____ CONTACT: _____

ADDRESS: _____

PHONE : _____ FAX: _____ E-MAIL: _____



APPLICATION/COMMENTS:	QUANTITY(S) _____
_____	_____
_____	_____

Send ATP socket specials request for quotation to FAX (724)-776-0227 or email to info@hy-techinc.com
ATP HY-TECH ENGINEERED SOLUTIONS 25 Leonberg Road, Cranberry Township, PA 16066